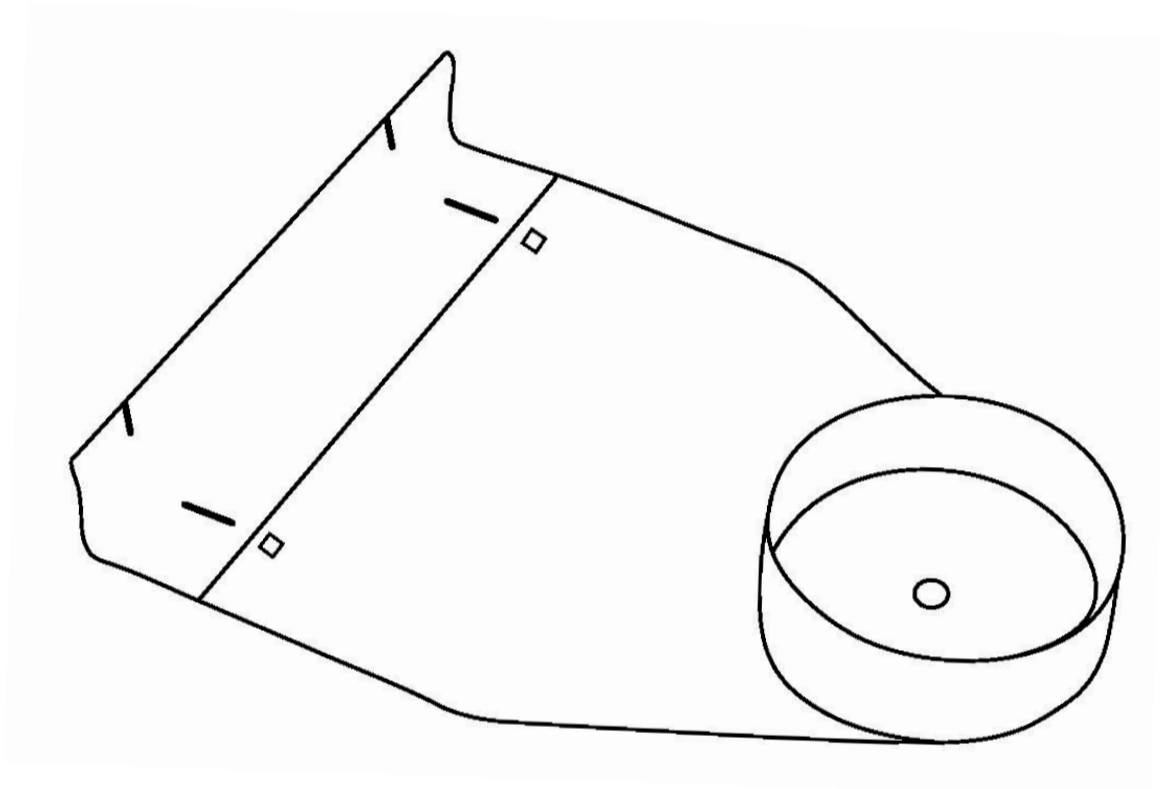


BUBBLE TUBE WALL BRACKET

EQ7218



Installation Manual

50901-2-3
August 2022



Contents

| | |
|--------------|-----|
| Warnings | 3 |
| Description | 3 |
| Includes | 3 |
| Installation | 4-5 |
| Guarantee | 6 |
| Contact | 7 |



Warnings

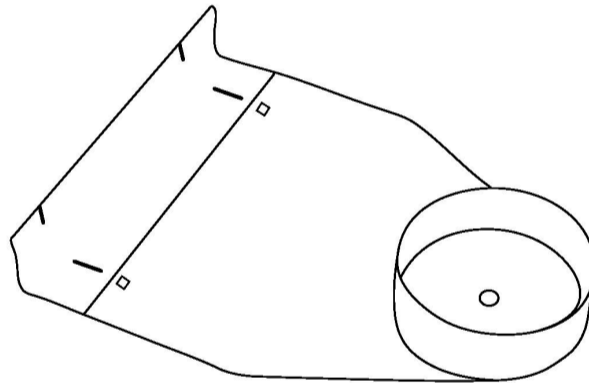
- * This product is designed for users with special needs. Adult supervision is required during use at all times.
- * Supplied installation hardware designed to install into solid walls only.
- * Professional installation recommended.

Description

For additional safety and stability, affix to the top of your Calming LED Bubble Tube or Waterless Color Column (sold separately). The bracket allows you to conveniently secure your bubble tube or column to the wall to reduce the risk of tippage. Kids can still get close and interact.

Includes

Wall Bracket



Wall Anchor x 3



Chrome Washer x 3

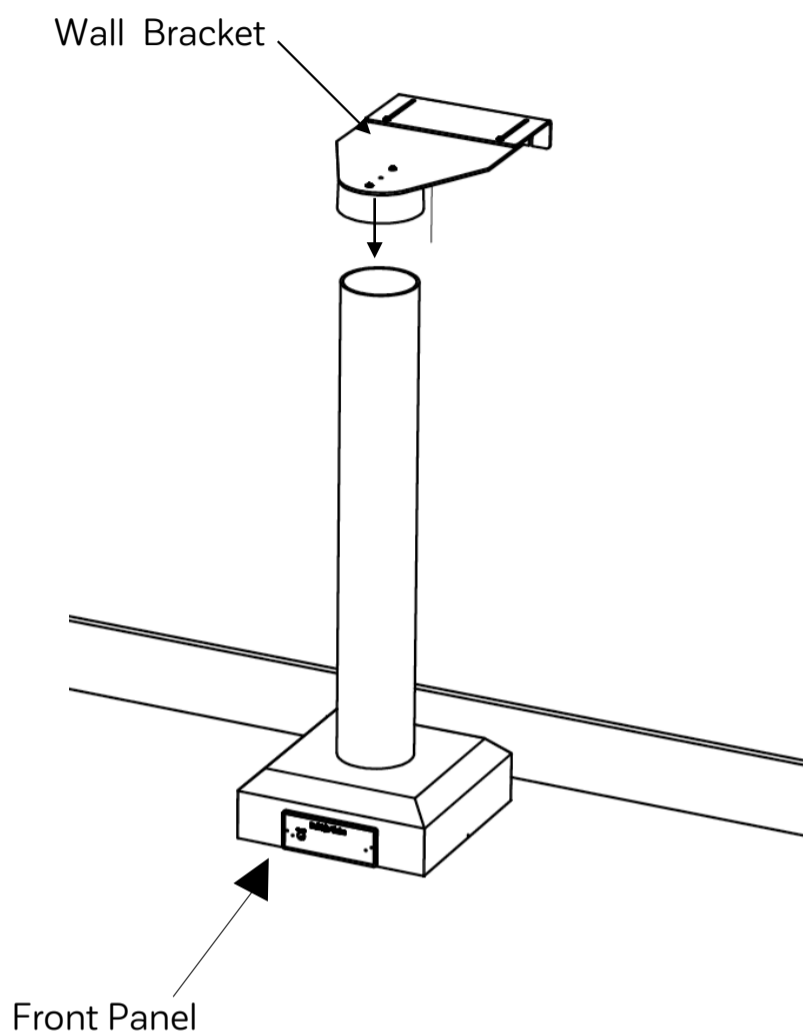


1-3/16" (30 mm) screws x 3



Installation

Supplied installation hardware designed to install into solid walls only

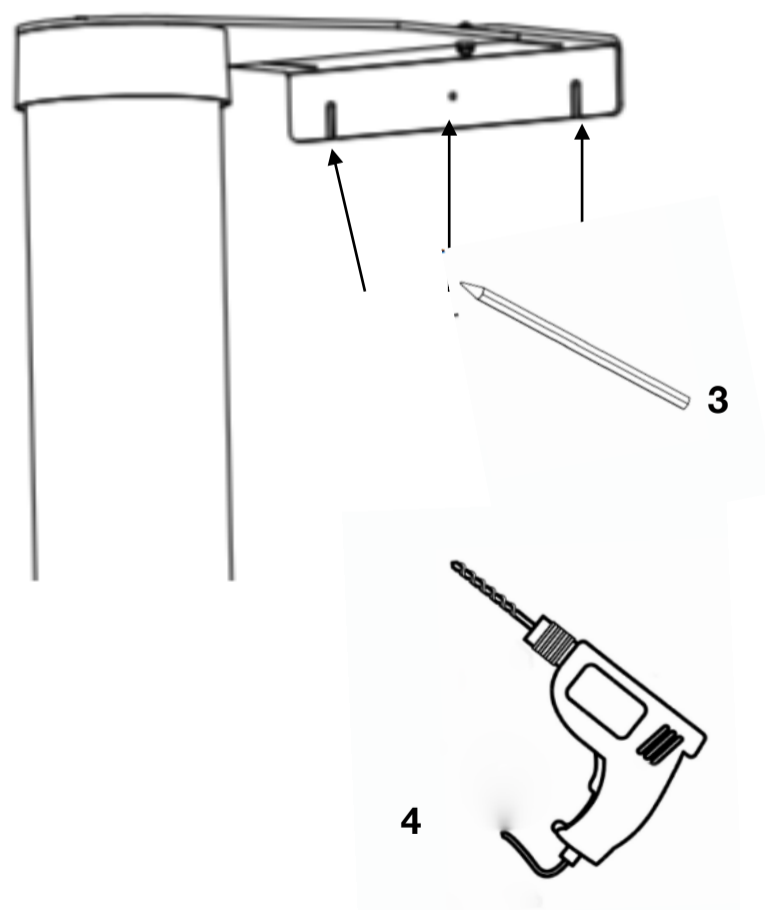


1 Place the Bubble Tube or Waterless Color Column against the wall. Make sure the Bubble Tube or Waterless Color Column front panel is facing away from the wall.

2 Remove the white bubble cap that comes with the Bubble Tube or Waterless Color Column and push the wall bracket on to the top of the column.

3 Mark through the 2 slots and 1 hole using a pencil.

4 Drill 3 holes into the wall using a 1/4 inch (6 mm) drill bit.



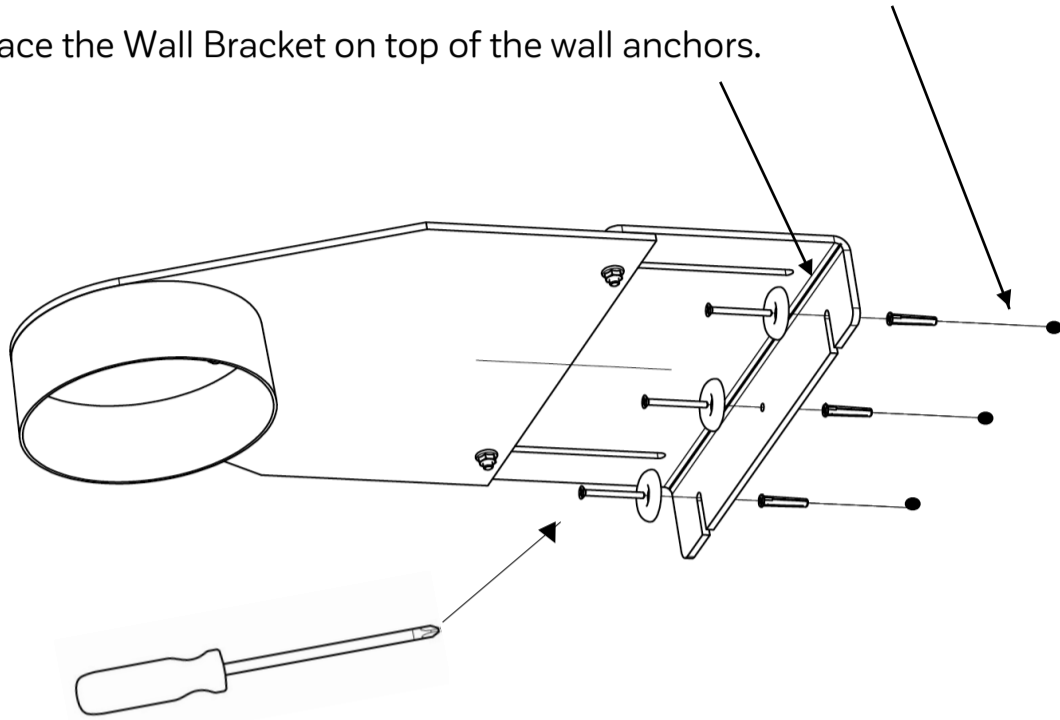
5 Insert 3 wall anchors into the pre-drilled holes in the wall.

Wall Anchor x 3



6 Place the Wall Bracket on top of the wall anchors.

Chrome Washer x 3

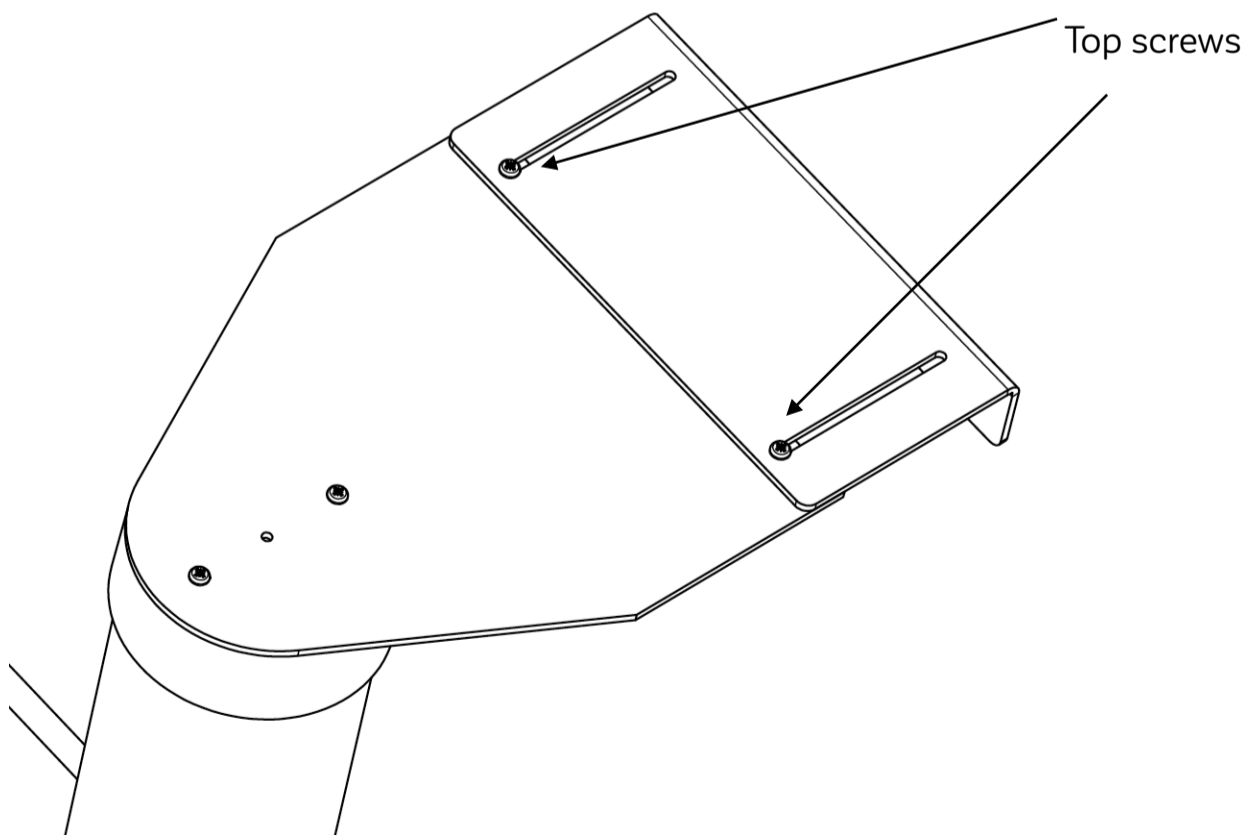


1-3/16" (30 mm) screws



7 Place washers onto screws. Line up screw with a wall anchor and screw into the wall anchor with a Phillip's head (posi) screwdriver.

8 Loosen top screws and adjust the bracket to the correct distance from the wall while sliding the top lid over the bubble tube or column. Tighten screws as required. Reverse this process when emptying or filling the bubble tube.



Guarantee

CONDITIONS OF GUARANTEE

This guarantee is in addition to and does not in any way affect any statutory or other rights of consumer purchasers. If within the applicable guarantee period (as shown in 8 below) the appliance proves to be defective by reason of faulty design, workmanship or materials, we undertake subject to the following conditions to have the defective appliance (or any part or parts thereof) repaired or at our discretion replaced free of charge.

1. The appliance shall have been purchased and used solely in accordance with Standard operating instructions and the technical and/or Safety Standards required in the country where this appliance is to be used
2. All enquiries must be through such dealers. For appliances used in the UK., U.S.A., Channel Islands, Isle of Man, and Republic of Ireland the appliance should be returned together with this guarantee and proof of purchase promptly on being found defective, at the purchasers risk and expense, to the authorised dealer from whom the appliance was purchased.
3. This guarantee shall not apply to damage caused through fire, accident, misuse, Wear and tear, neglect, incorrect adjustment or repair, to damage caused through where this appliance is used, or to damage occurring during Installation, adaptation, modifications, or use in an improper manner or inconsistent with the technical and/or safety standards required in the country transit to or from the purchaser.
4. If at any time during the guarantee period any part or parts of the appliance are replaced with a part or parts not supplied or approved by us or of an objective quality safe and suitable for the appliance, or the appliance has been dismantled or repaired by a person not authorised by us, the purchaser shall not be entitled to any rights and/or remedies under this guarantee.
5. The purchaser sole and exclusive remedy under this guarantee against us is for the repair (or at our discretion the replacement) of the appliance or any part or parts and no other remedy, including, but not limited to, incidental or consequential damage or loss of whatsoever nature shall be available to the purchaser.
6. This guarantee shall not apply to lamps, batteries, colour filters, cabinet parts or any other parts of a limited natural life.
7. Our decision on all matters relating to complaints shall be final. Any appliance or Defective part which has been replaced shall become our property until paid for in full.
8. The guarantee period applicable to all new appliances shall be 24 months.

Bubble Tube Wall Bracket (EQ7218)
5.2"L to 19.7"L x 12.6"W x 2"D
132.02mm to 500.38mm x 317.5mm x 50.8mm
Weighs 2.4 lbs. (1 KG)

Disclaimer

No part of this manual may be reproduced in any form or by any means (graphic, electronic or mechanical, including recording, taping, photography or information retrieval system) without express written permission of the publisher of this material.
All information correct at date of publication.



QUESTIONS? call us at 800-231-6329 or email us at customer@funandfunction.com.
We are committed to going above and beyond to address your questions, ideas and feedback.

