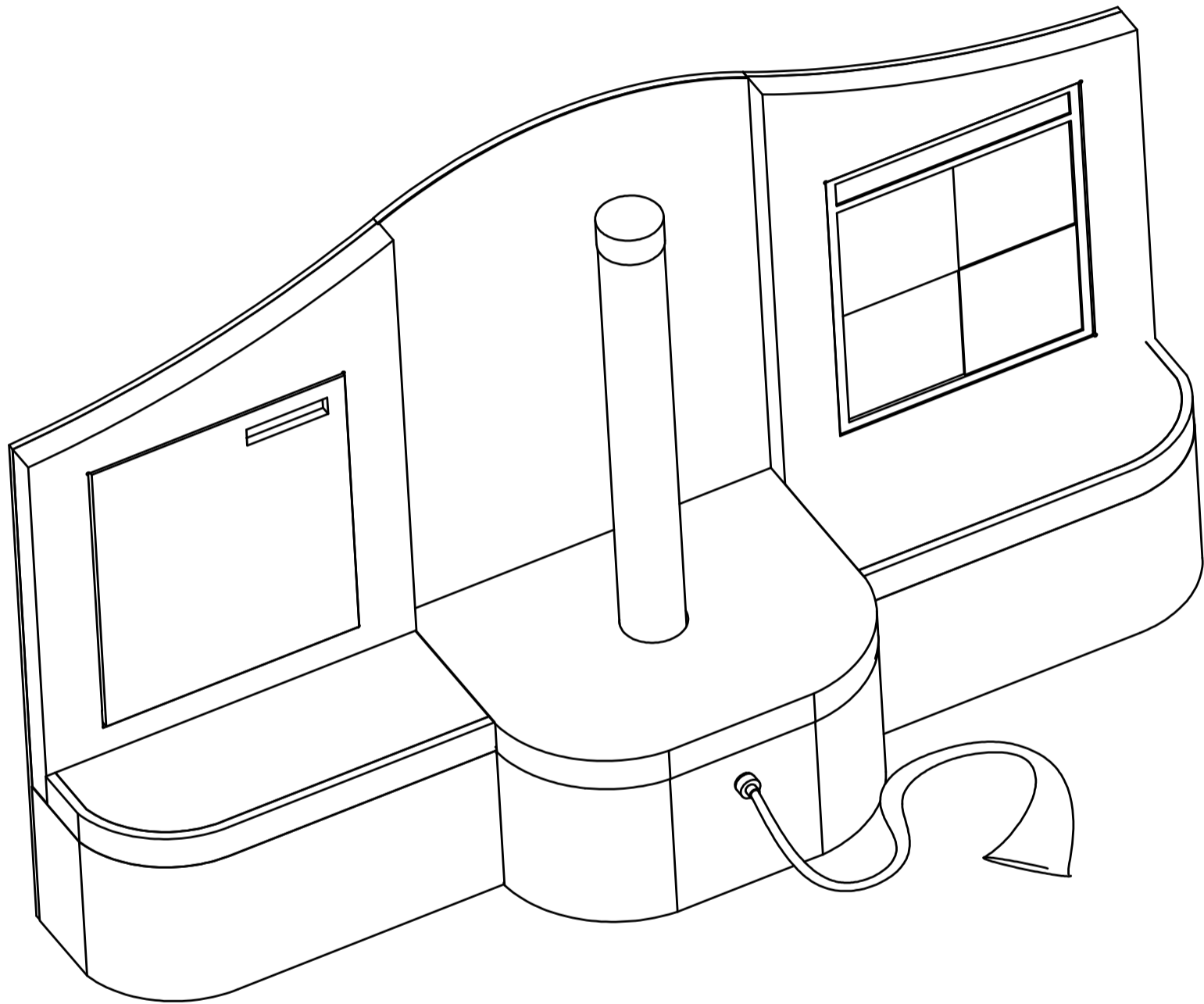


Interactive Calming Station

SK7393



Installation Manual

57515
June 2022



Contents

Warnings	3
Description	3
Includes	4
Building	5-7
Cleaning	8
Maintenance	8
Guarantee	9
Contact us	10

Scan QR code for an instructional video.





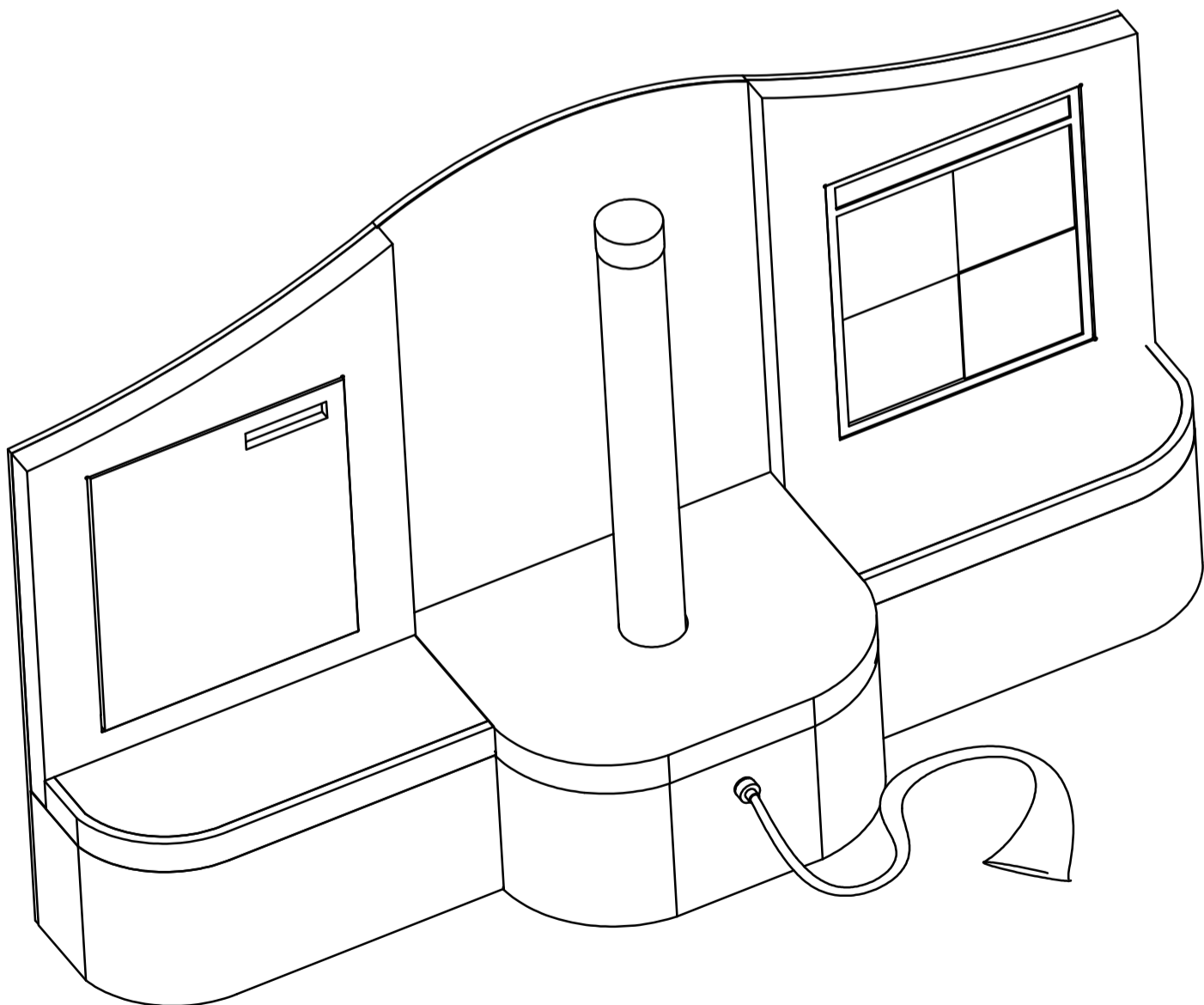
Warnings

- * This product is designed for users with special needs. Adult supervision is required during use at all times.
- * For indoor use only. The equipment uses a mains power supply.
- * We recommend two people to assemble the package.
- * Never use abrasive cleaning pads to clean this item.

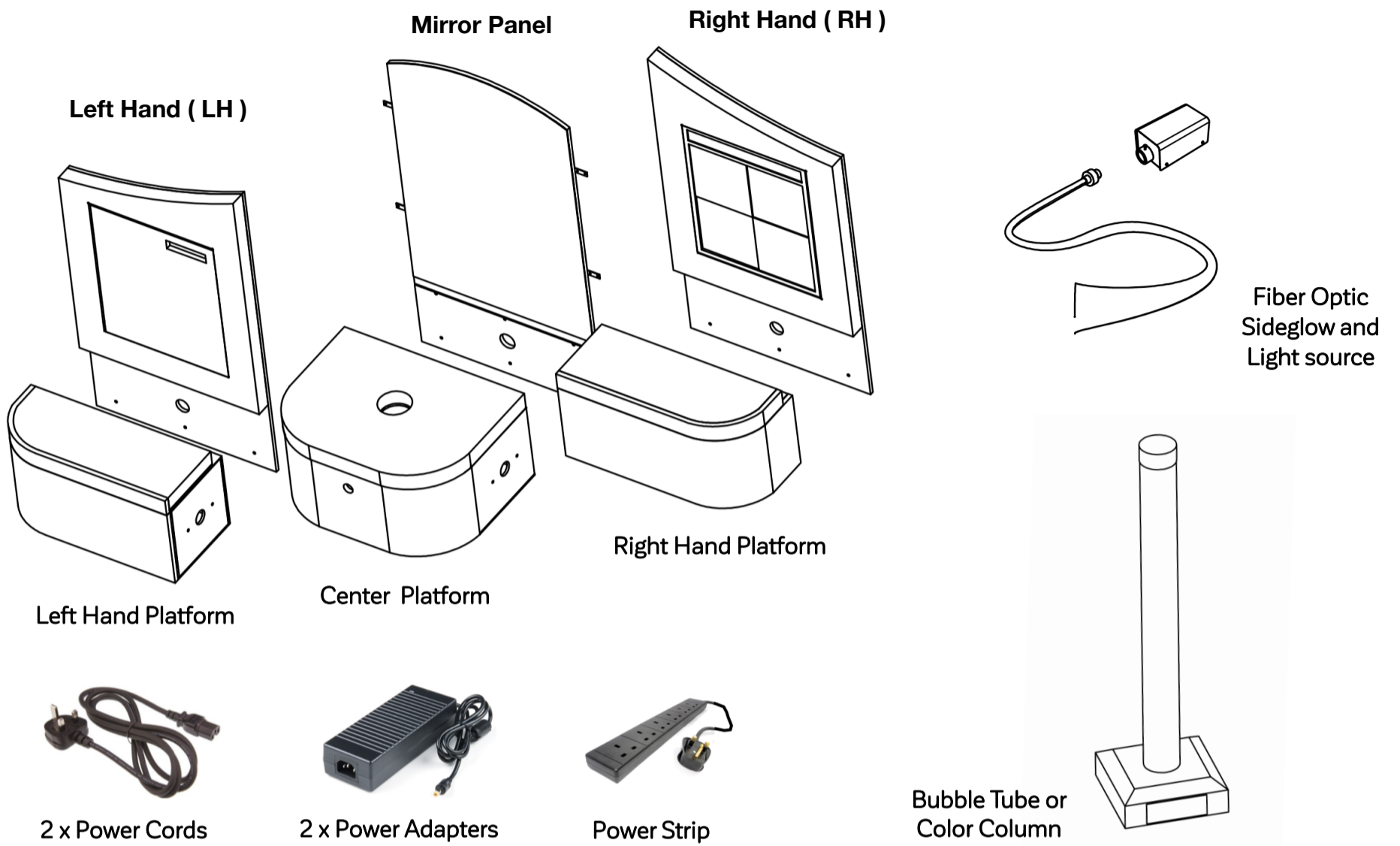
Description

The Interactive Calming Station is a complete standalone sensory resource. It includes key pieces of technology inset into soft furnishing that is durable and easy to wipe clean. It is designed to fit against a wall and fits within a 9' 10" (3 meter) space. It usually arrives in six pieces and needs to be assembled on site where it will be used.

The station includes: Calming LED Bubble Tube 60" or Waterless LED Color Column. Fiber Optic Side Glow and two wall sensory panels featuring Interactive Infinity Tunnel and Color Changing Light Panel (sensory panel choices can be customized).



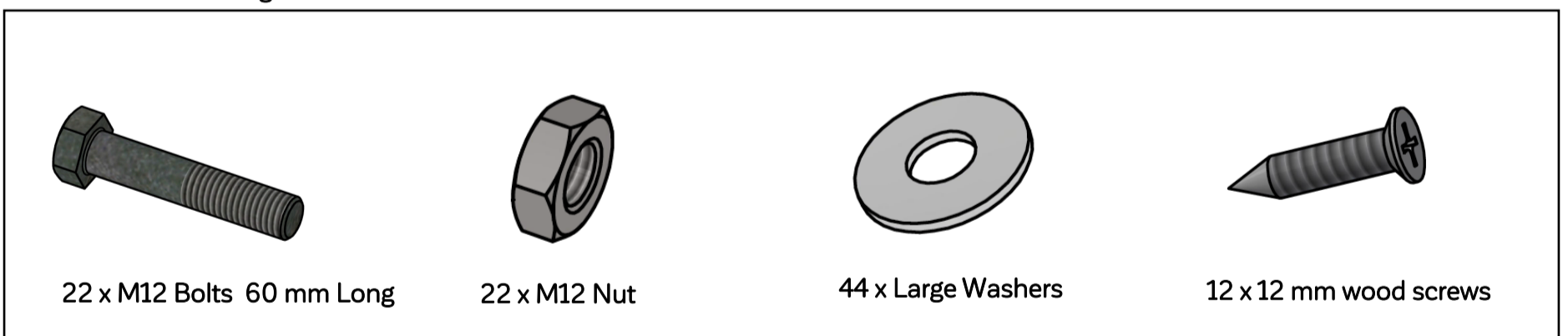
Includes



*Carefully check you have all the parts listed. Inform us immediately if anything is missing.
Note: Sensory Light Panels may differ.*

Hardware

Parts for assembling the station.



Tools Required

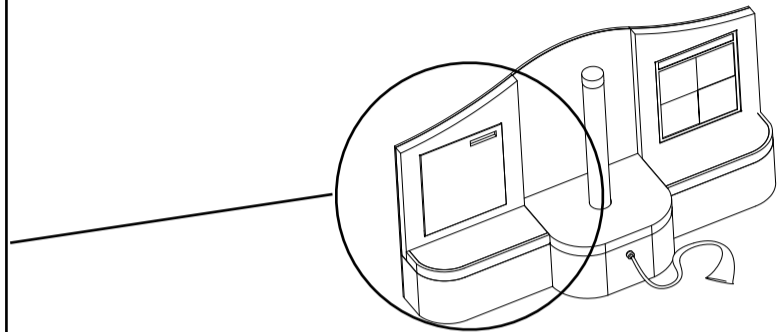
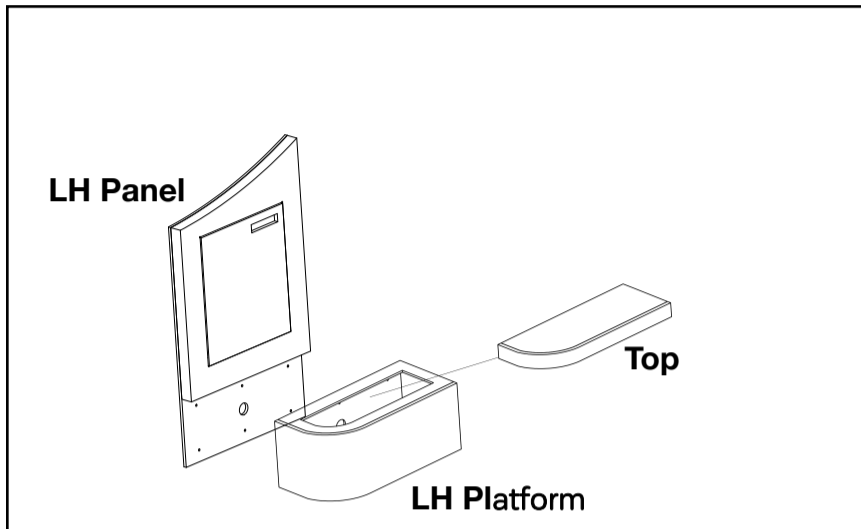


Placement of Station

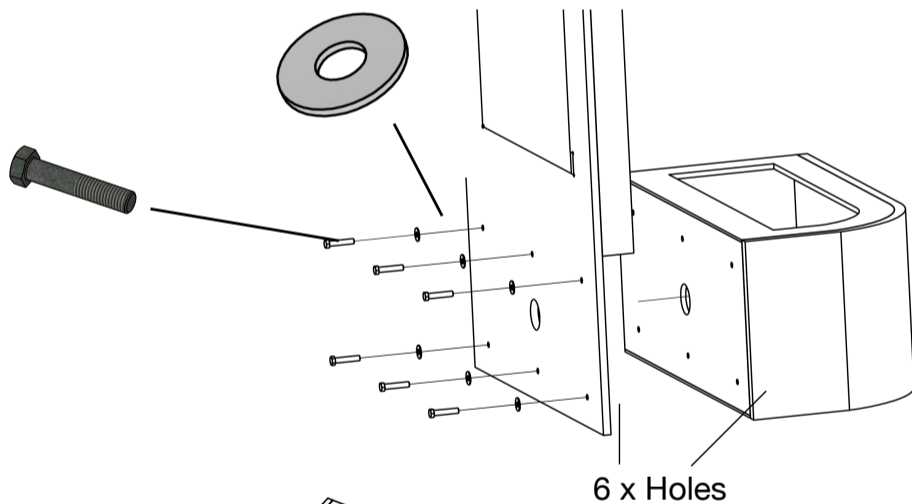
We always recommend equipment is installed by a qualified professional; however, a competent DIY person would have no problem installing this equipment. An electrical outlet is required within 9' 10" (3 meters). Make sure you have plenty of space to work in and do not attempt to build alone.

- 1) Identify - Left Hand (LH) Platform and remove the top and place on one side for now.

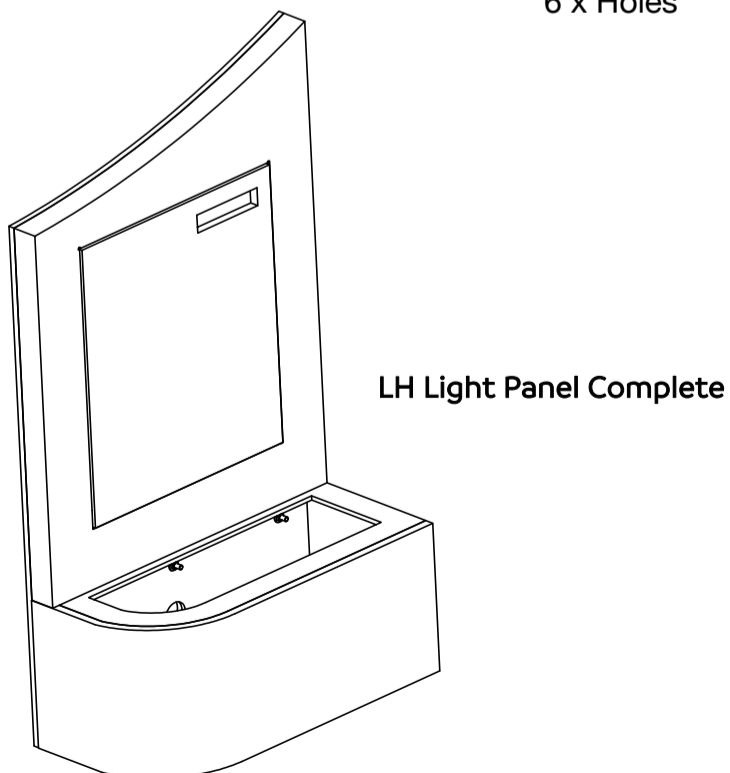
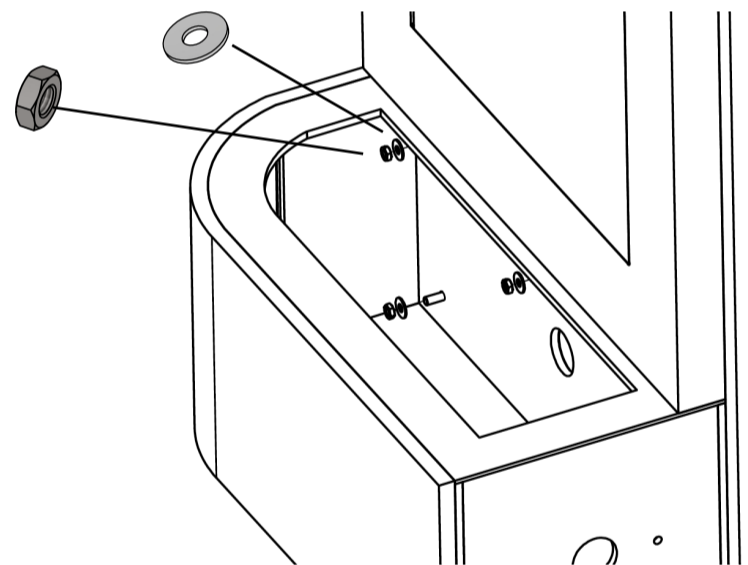
The top is attached with velcro



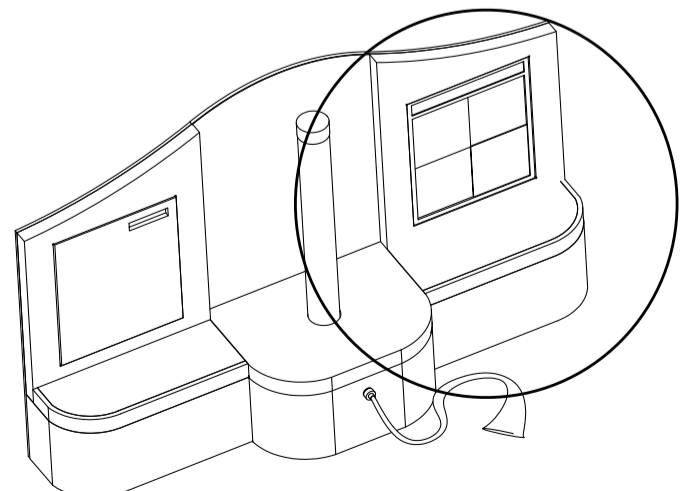
- 2) Identify - LH Light Panel and place it to the Platform. Use 6 x **M12 bolts** - 6 x **M12 washers** and attach the Platform to the wall panel through the aligned 6 holes.



- 3) Use 6 x **M12 washers** and 6 x **M12 nuts** to attach the Platform using the wrench to tighten the nuts.



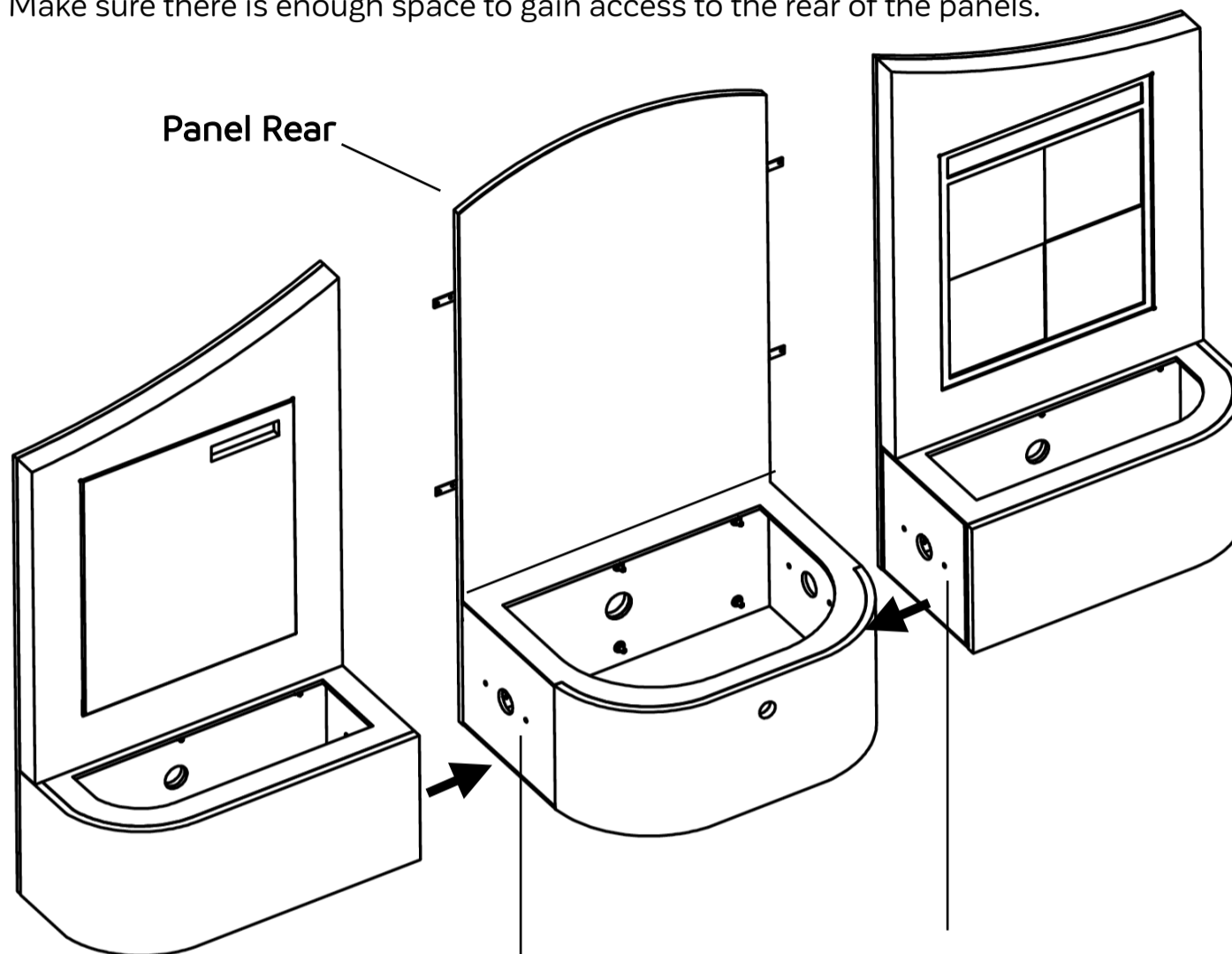
- 4) Now repeat the process with the Right Hand (RH) Light Panel and RH Platform.



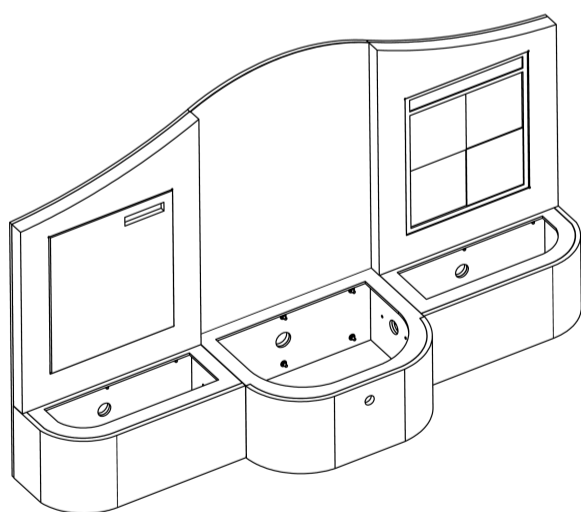
The Mirror Panel and the Center Platform are a little larger. The process of attaching them together is exactly the same as the LH and RH side of the sensory station. The mirror section includes key equipment and the cord management.

Bringing all the pieces together

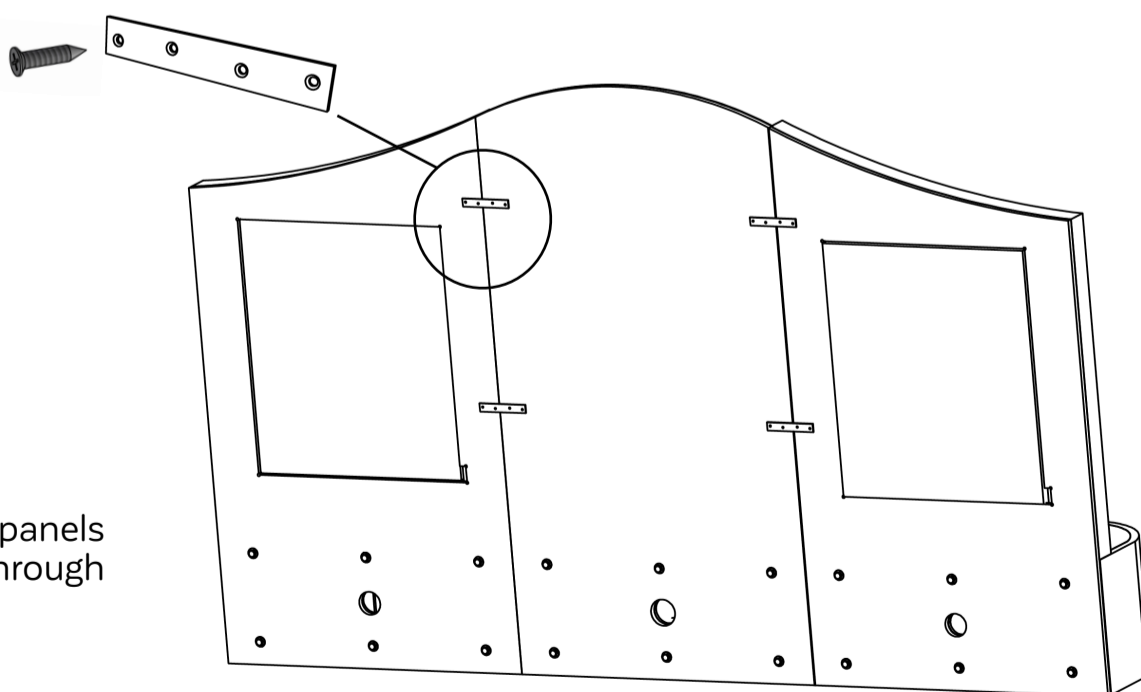
Position each Platform as shown and prepare to attach together using the M12 bolts, washers and nuts. Make sure there is enough space to gain access to the rear of the panels.



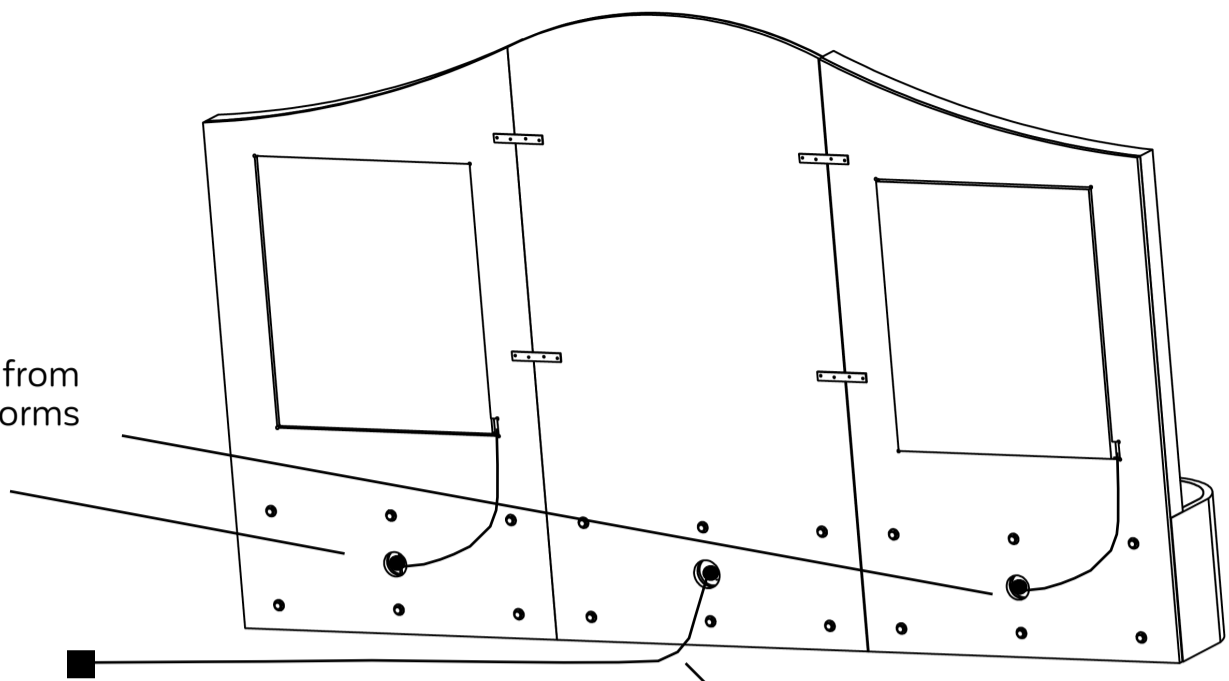
5) Place the M12 bolts, washers and nuts through the side of the platforms using the holes and tighten using the wrench.



6) On the backside screw the panels together using 12 mm wood screws through the 4 brackets.



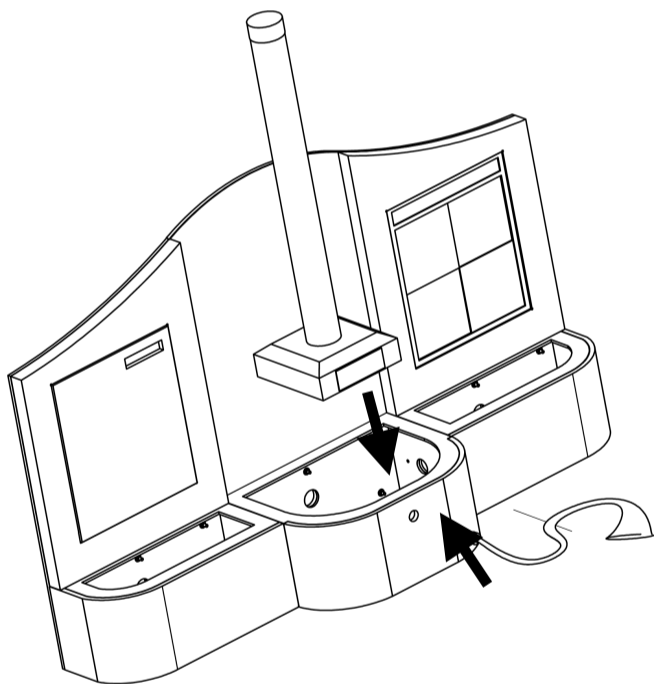
7) Feed 2 x power cords from both wall panels into Platforms using the holes provided.



8) Feed 1 x power board through the center hole provided. This provides power to all the equipment from the center platform (UK plug shown).



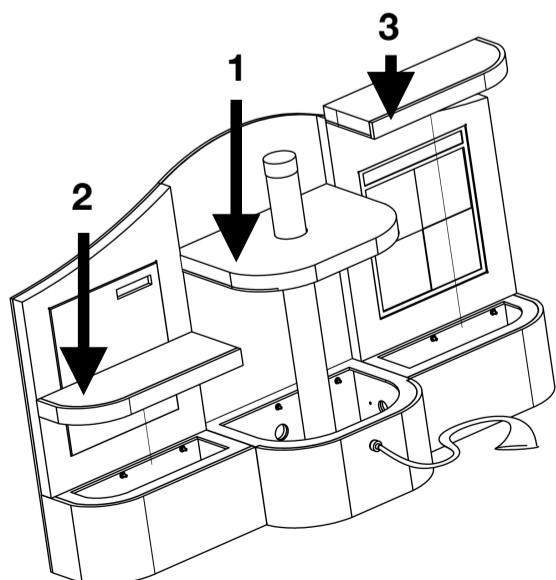
Push the complete sensory station into its final location. May require more than two people.



9) Drop the Bubble Tube / Waterless Column into the center platform and feed the Fiber Optic Harness through the front mouse hole.

10) Connect all power cords to the power board and plug into the main power supply making sure all lights are functional.

The instructions for the equipment are supplied with each piece of equipment separately.



11) Fit all three platform tops starting in the middle. You may have to jiggle the Bubble Tube / Waterless Column a little to make sure it stands upright on the base.

If your Sensory package includes a bubble tube, fill the bubble tube with water according to the instructions that come with the bubble tube.

Cleaning

To clean your wall panels and platforms, wipe with a soft white cloth and mild detergent such as a dishwashing liquid diluted in water. Never use an abrasive cloth or any solvent such as mineral spirits or chlorine based cleaning products. Always unplug power cord from the electrical outlet before cleaning.

Maintenance

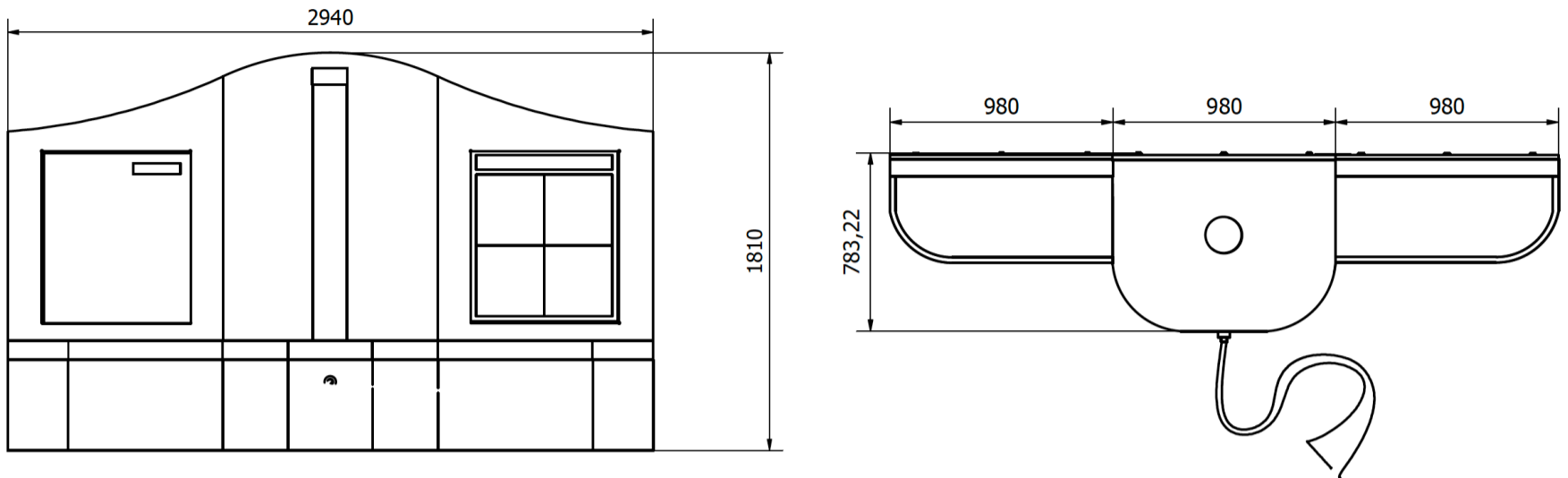
Interactive Calming Station requires no further maintenance other than a visual inspection for a damaged fabric.

Guarantee

CONDITIONS OF GUARANTEE

This guarantee is in addition to and does not in any way affect any statutory or other rights of consumer purchasers. If within the applicable guarantee period (as shown in 8 below) the appliance proves to be defective by reason of faulty design, workmanship or materials, we undertake subject to the following conditions to have the defective appliance (or any part or parts thereof) repaired or at our discretion replaced free of charge.

1. The appliance shall have been purchased and used solely in accordance with Standard operating instructions and the technical and/or Safety Standards required in the country where this appliance is to be used
2. All enquiries must be through such dealers. For appliances used in the UK., U.S.A., Channel Islands, Isle of Man, and Republic of Ireland the appliance should be returned together with this guarantee and proof of purchase promptly on being found defective, at the purchasers risk and expense, to the authorised dealer from whom the appliance was purchased.
3. This guarantee shall not apply to damage caused through fire, accident, misuse, Wear and tear, neglect, incorrect adjustment or repair, to damage caused through where this appliance is used, or to damage occurring during Installation, adaptation, modifications, or use in an improper manner or inconsistent with the technical and/or safety standards required in the country transit to or from the purchaser.
4. If at any time during the guarantee period any part or parts of the appliance are replaced with a part or parts not supplied or approved by us or of an objective quality safe and suitable for the appliance, or the appliance has been dismantled or repaired by a person not authorised by us, the purchaser shall not be entitled to any rights and/or remedies under this guarantee.
5. The purchasers sole and exclusive remedy under this guarantee against us is for the repair (or at our discretion the replacement) of the appliance or any part or parts and no other remedy, including, but not limited to, incidental or consequential damage or loss of whatsoever nature shall be available to the purchaser.
6. This guarantee shall not apply to lamps, batteries, colour filters, cabinet parts or any other parts of a limited natural life.
7. Our decision on all matters relating to complaints shall be final. Any appliance or Defective part which has been replaced shall become our property until paid for in full.
8. The guarantee period applicable to all new appliances shall be 24 months.



Size - 70.8"H x 116"W x 30.5"D
 (2940 mm x 1810mm x 785mm D)
 Weight - 379 lbs. (175 KG)

Disclaimer

No part of this manual may be reproduced in any form or by any means (graphic, electronic or mechanical, including recording, taping, photography or information retrieval system) without express written permission of the publisher of this material.
 All information is correct at date of publication.



fun & function
 EMPOWERING DIFFERENT®

PO Box 11, Merion Station, PA 19066

QUESTIONS? call us at 800-231-6329 or email us at customercare@funandfunction.com.
 We are committed to going above and beyond to address your questions, ideas and feedback.



Spacekraft copyright June 2022