

## OTG Swings Connection Interface Information

Haley's Joy LLC company has a complete range of attachments for use with their swing frames. The attachments are designed for each particular swing frame size and weight requirements. Some of the design factors taken into account are:

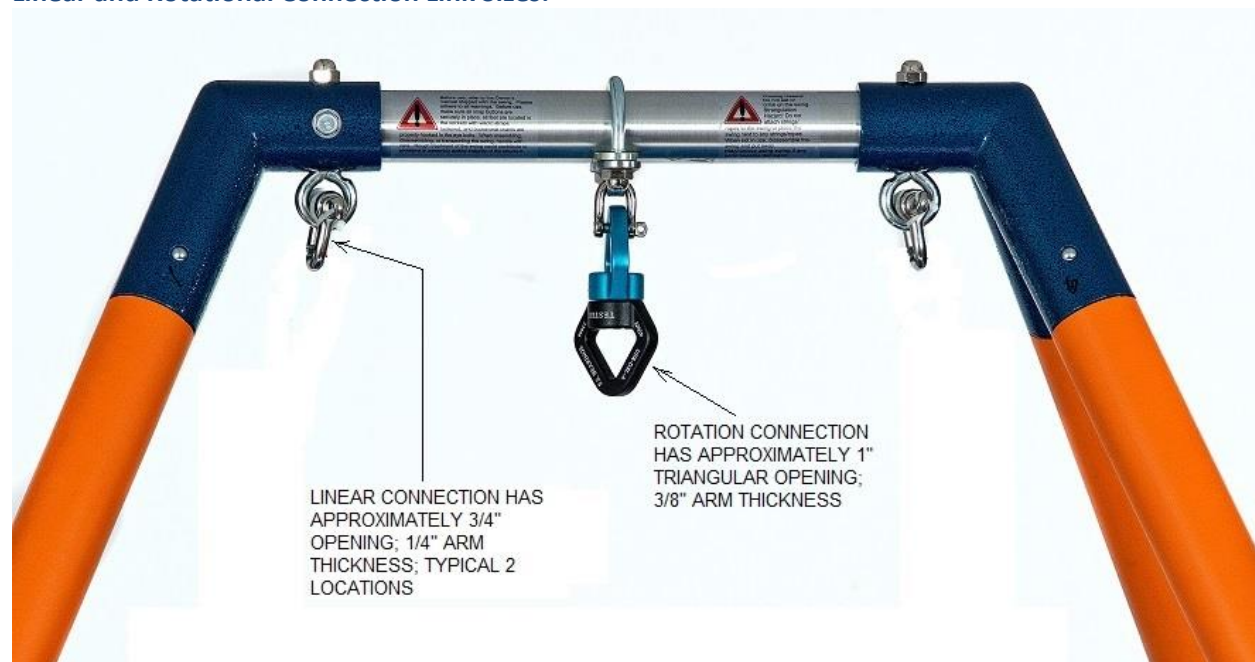
- how high off of the ground that attachment is
- how close to the legs they come during the swinging motion
- how robust they are
- how cleanable they are, etc.

They are also designed for possible safety concerns. One example is where the sensory wrap is not allowed to be used for the single point rotation. The reason for this is the possibility of the individual's head hitting the legs if they are being rotated and laterally swung at the same time.

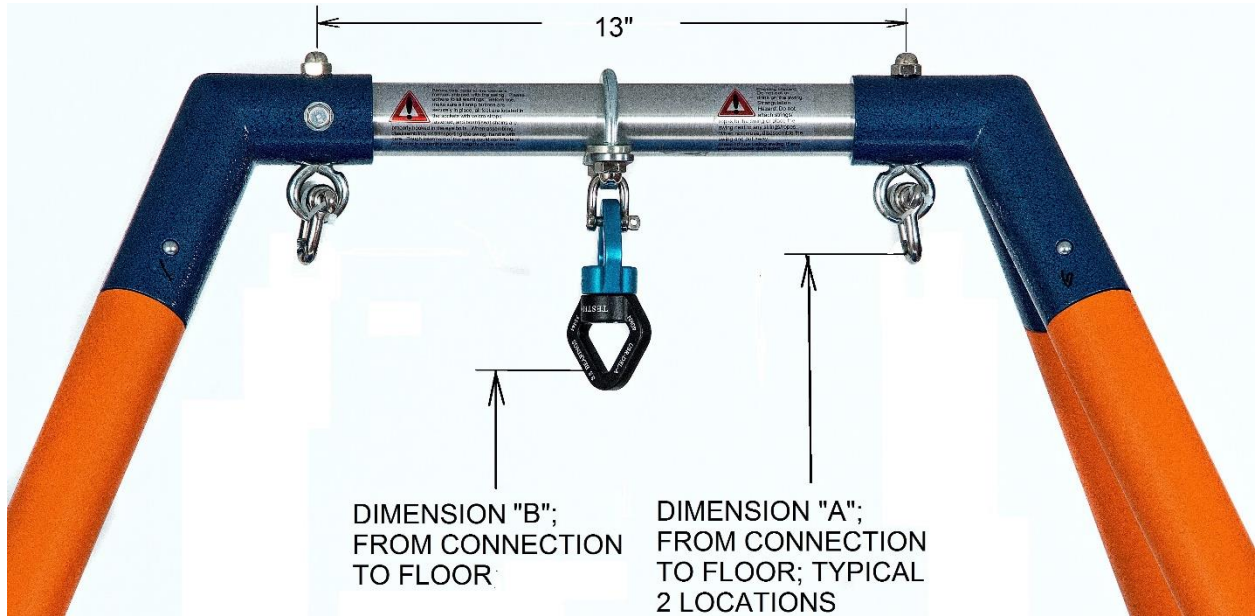
Haley's Joy is aware that other therapists may be using their own attachments with our swing frames. Not knowing what those attachments are (how large they are, how safe they are, how robust they are, etc.), broad approval cannot be given on the use of other manufacturer's attachments. Haley's Joy states that the selection of, and liability of, using those attachments falls upon the therapists who uses them, the other attachment's manufacturer and those who recommend them.

However, Haley's Joy also understands that sometimes additional information is needed on the swing to attachment interface. As such, the additional images and chart are provided:

### Linear and Rotational Connection Link Sizes:



**Distance from Floor to Linear and Rotational Connection Links:**



|                | OTG1  | OTG2  | OTG3  |
|----------------|-------|-------|-------|
| DEMENSIONS "A" | 45.5" | 64.5" | 84"   |
| DEMENSIONS "B" | 43"   | 62"   | 81.5" |