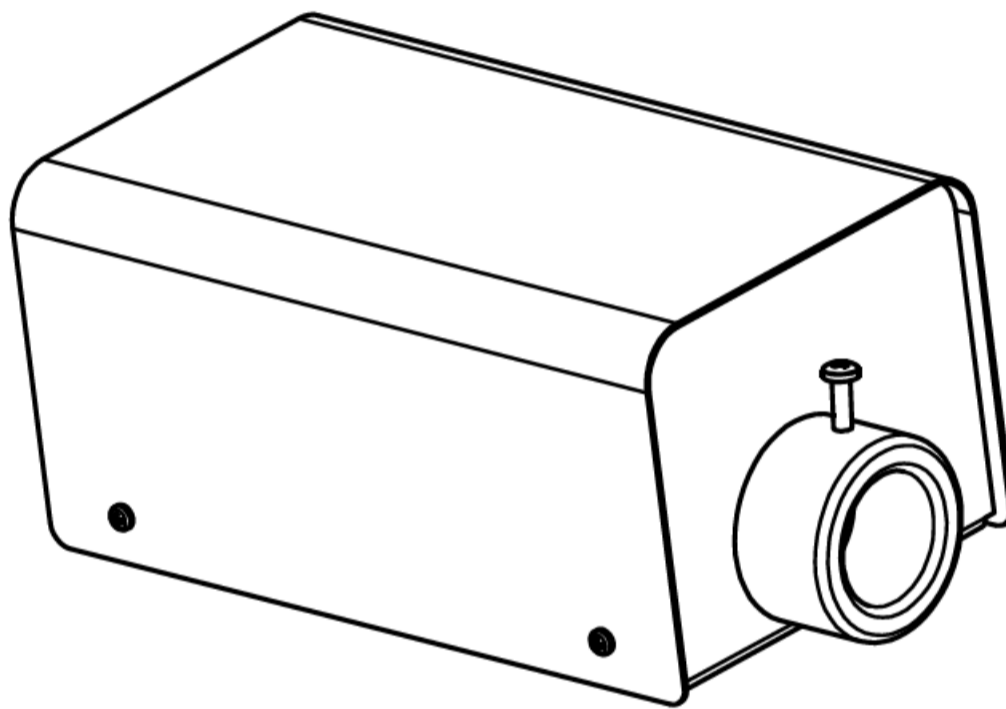


# Fiber Optic Strands with Lightsource SP7210

---



## Installation Instructions

30102  
October 2022

---



## Contents

Warnings	3
Description	3
Includes	3
Installation	4
Connecting the Harness	5
Troubleshooting	5
Cleaning and Maintenance	5
Guarantee	6
Technical	7
Contact us	8



# Warnings

- \* This product is designed for users with special needs. Adult supervision is required during use at all times.
- \* For indoor use only. The equipment uses a mains power supply.
- \* The Fiber Optic Strands can be a strangulation hazard. Very close supervision is suggested.

## Description

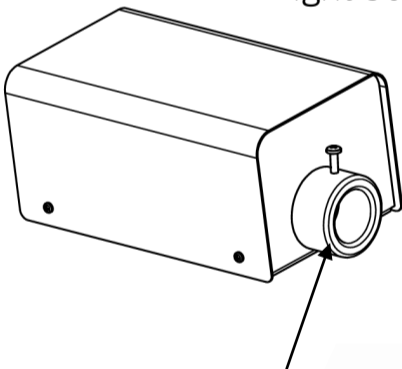
Flexible fiber optic lights offer multi-sensory stimulation. Strands constantly change colors to encourage visual engagement and can be bent into cool shapes or draped on the body for tactile and proprioceptive input. Create a soothing, interactive environment that supports calm, attention and focus.

When turned on, it will run through a color sequence until it is turned off. It can be used on a desktop or attached to a wall using screws (template for wall attachment included).

Fiber optics provide a safe experience without heat or electricity being transmitted through the fiber making them safe to handle.

## Includes

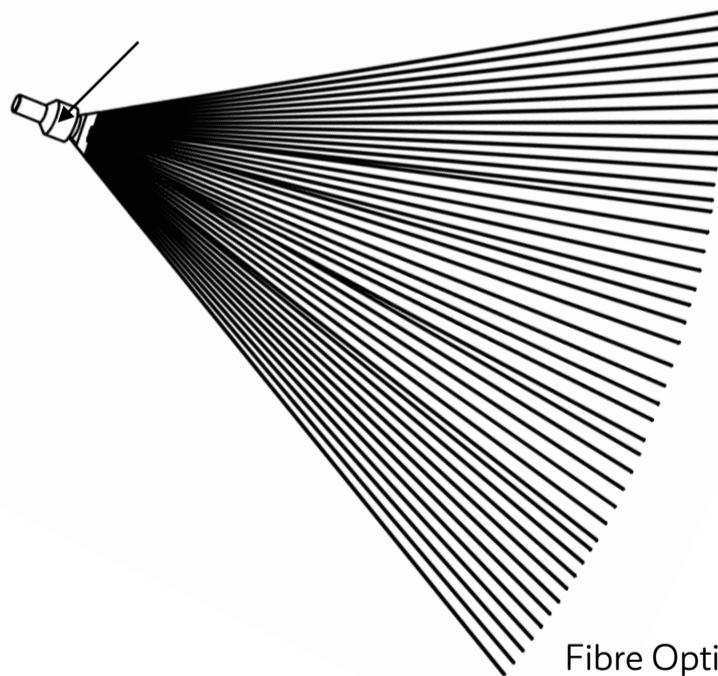
Light Source



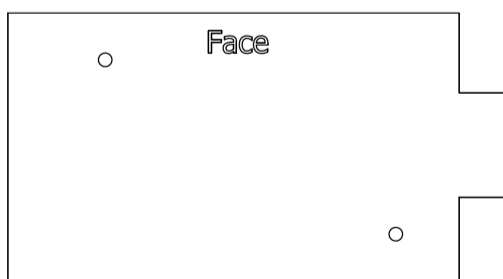
Power Cord



Metal Boss to accept the fibre optic fibres fitted with 1.2" (30 mm) receptacle.

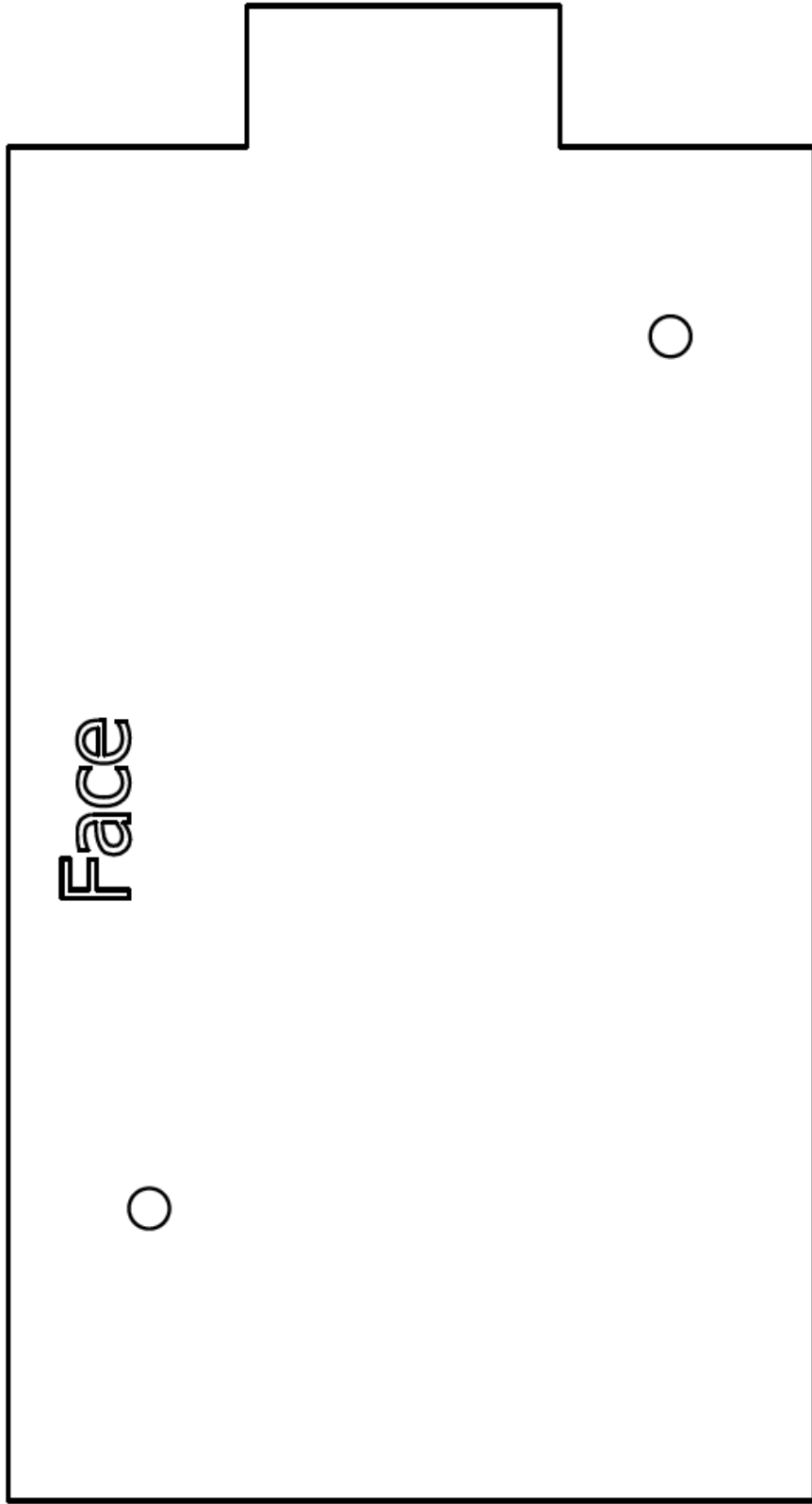


Fibre Optic Harness - 1.2" (30mm) receptacle with 150 strands at 79"L.



Wall fixing template

*Note : Your Fiber Optic Harness may be in separate packaging.*



Face



# Installation

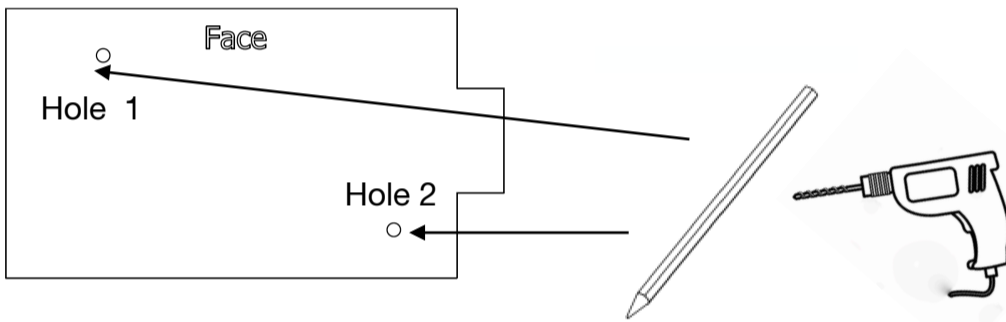
The Light Source does not have to be wall fixed, it can be used free standing almost anywhere. For wall installation, use the wall template provided. The template simplifies installation making it easy to attach using 2 screws (screws are not provided). Use screws appropriate to the type of wall the light source will be attached to. Professional installation is recommended.

## Wall Installation

The Light Source has 2 x keyhole slots on the underside. Use the template to mark the walls, the screws act as a hooking mechanism.

### Step 1

Hold the template on the wall with the word face towards you. Use a pencil to mark through the 2 holes



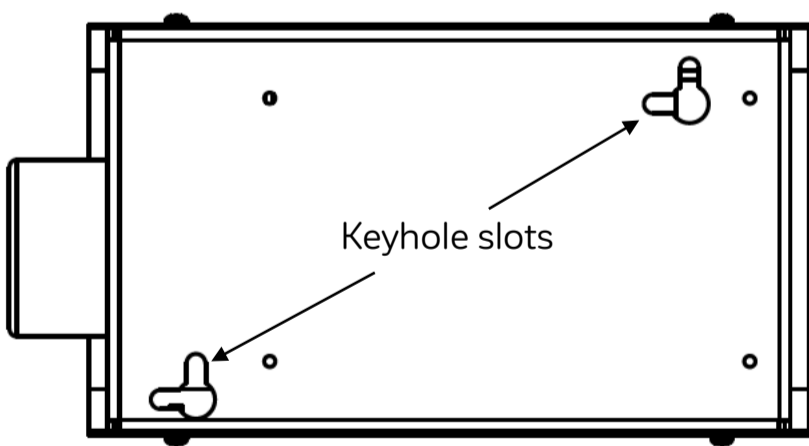
### Step 2

Drill 2 holes on the pencil marks.

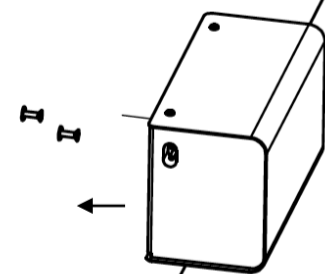
### Step 3

Use suitable wall screws and screw into wall. Leave the head of the screws protruding 10 mm.

Slots in the Light Source base

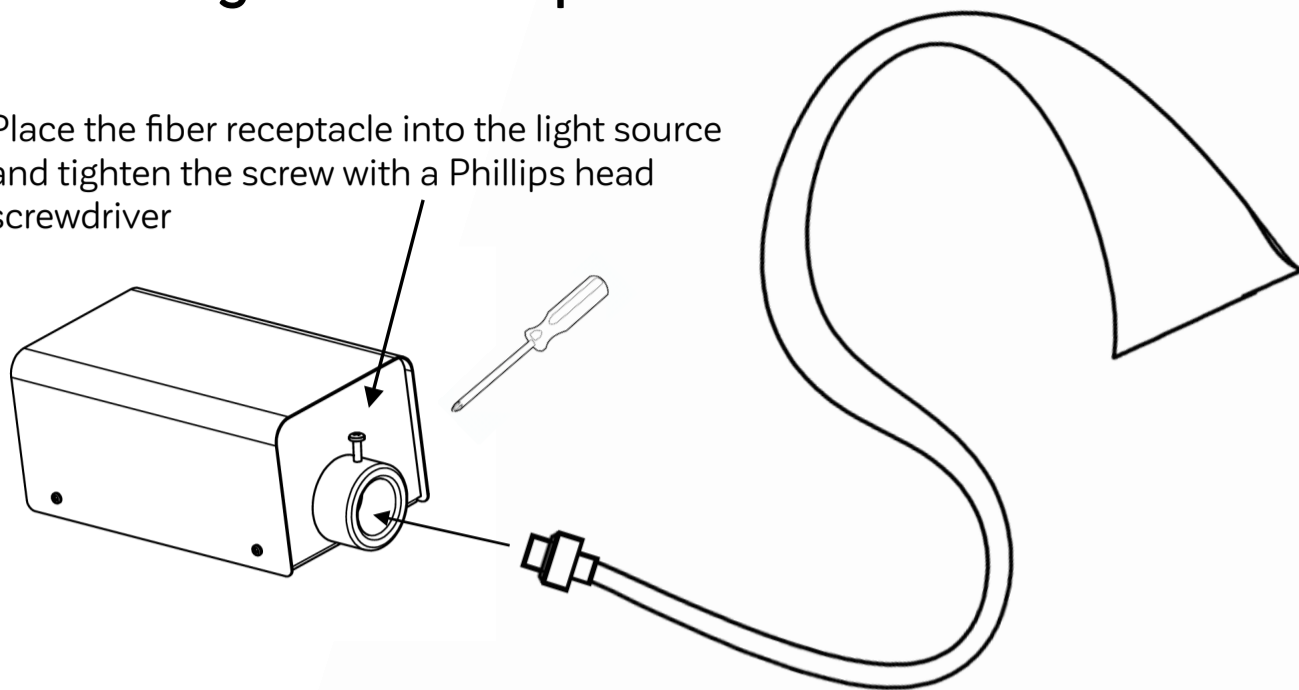


Locate screws in keyhole slots .



## Connecting the Fiber Optic Harness

Place the fiber receptacle into the light source and tighten the screw with a Phillips head screwdriver



## Connecting to the Mains Supply

Your Light Source requires an electrical outlet. You are supplied with power cord. The Light Source will immediately illuminate and work through a color change.



## Troubleshooting

Q - My Light Source will not light up.

A - Make sure the power cord is plugged into an electrical outlet and the outlet is receiving power. If this still does not work, check the fuse in the plug. Please make sure the light source has been unplugged from the outlet before checking the fuse.

## Cleaning

Before cleaning, unplug the lightsource from the electrical outlet. Wipe with a lint free white cloth and mild detergent such as a washing up liquid. Never use an abrasive cloth or any solvent such as white spirit. Make sure the case is dry before reconnecting to the electrical outlet.

## Maintenance

Your Lightsource requires no maintenance further than a visual inspection for a damaged front panel. Periodically check all wall attachments and ensure the panel is secure. Make sure all electrical cords are not damaged and still intact.

# Guarantee

## CONDITIONS OF GUARANTEE

This guarantee is in addition to and does not in any way affect any statutory or other rights of consumer purchasers. If within the applicable guarantee period (as shown in 8 below) the appliance proves to be defective by reason of faulty design, workmanship or materials, we undertake subject to the following conditions to have the defective appliance (or any part or parts thereof) repaired or at our discretion replaced free of charge.

1. The appliance shall have been purchased and used solely in accordance with Standard operating instructions and the technical and/or Safety Standards required in the country where this appliance is to be used
2. All enquiries must be through such dealers. For appliances used in the UK., U.S.A., Channel Islands, Isle of Man, and Republic of Ireland the appliance should be returned together with this guarantee and proof of purchase promptly on being found defective, at the purchasers risk and expense, to the authorised dealer from whom the appliance was purchased.
3. This guarantee shall not apply to damage caused through fire, accident, misuse, wear and tear, neglect, incorrect adjustment or repair, to damage caused through where this appliance is used, or to damage occurring during Installation, adaptation, modifications, or use in an improper manner or inconsistent with the technical and/or safety standards required in the country transit to or from the purchaser.
4. If at any time during the guarantee period any part or parts of the appliance are replaced with a part or parts not supplied or approved by us or of an objective quality safe and suitable for the appliance, or the appliance has been dismantled or repaired by a person not authorised by us, the purchaser shall not be entitled to any rights and/or remedies under this guarantee.
5. The purchasers sole and exclusive remedy under this guarantee against us is for the repair (or at our discretion the replacement) of the appliance or any part or parts and no other remedy, including, but not limited to, incidental or consequential damage or loss of whatsoever nature shall be available to the purchaser.
6. This guarantee shall not apply to lamps, batteries, color filters, cabinet parts or any other parts of a limited natural life.
7. Our decision on all matters relating to complaints shall be final. Any appliance or Defective part which has been replaced shall become our property until paid for in full.
8. The guarantee period applicable to all new appliances shall be 24 months.

## Information about products that generate electrical noise

### USA and Canada

This device complies with FCC and industry Canada RF radiate exposure limits set forth for general population. It must not be colocated or operating in conjunction with any other antennas or transmitters.

This device complies with Part 15 of the FCC rules. Operation is subject to the following two conditions: 1 This device must accept any interference received, including interference that may cause undesired operation.

This equipment complies with the limits for Class B digital device, pursuant to Part 15 of the FCC Rules. These limits are designed to provide reasonable protection against harmful interference in a residential installation. Should problems occur reorient or relocate the receiving antenna. Increase the separation between the equipment and the receiver. Connect to a power outlet on a circuit different from that to which the receiver is connected.





# Technical

The lightsource uses LED lighting. The expected working life is 100,000 hours. When the lights no longer work, the lightsource will need to be replaced.

## Electrical information

Table 1

Supply Voltage	110 / 240	AC
Power Supply Primary Voltage	110 / 240	AC
Power Supply Secondary Voltage	12	DC
Power Supply Current Rating	3	Amp
Power Supply Plug top Fuse	3	Amp
Working Load Current	0.2	Amp
Power Supply Compliance	EN-FCC	

Complies to:  
BS EN 60355-1  
Generic EMC standards -  
Emission standard for residential, commercial and light-industrial environments

Light Source Size - 8"L x 4.3"W x 3.75"H  
210mm L x 110mm W x 90mm H  
Weight 3.5 lbs. 1.6 KG including power supply

## Disclaimer

No part of this manual may be reproduced in any form or by any means (graphic, electronic or mechanical, including recording, taping, photography or information retrieval system) without express written permission of the publisher of this material. All information correct at date of publication.



**fun & function**

EMPOWERING DIFFERENT®

PO Box 11, Merion Station, PA 19066

QUESTIONS? call us at 800-231-6329 or email us at [customer@funandfunction.com](mailto:customer@funandfunction.com).  
We are committed to going above and beyond to address your questions, ideas and feedback.



SpaceKraft copyright November 2022