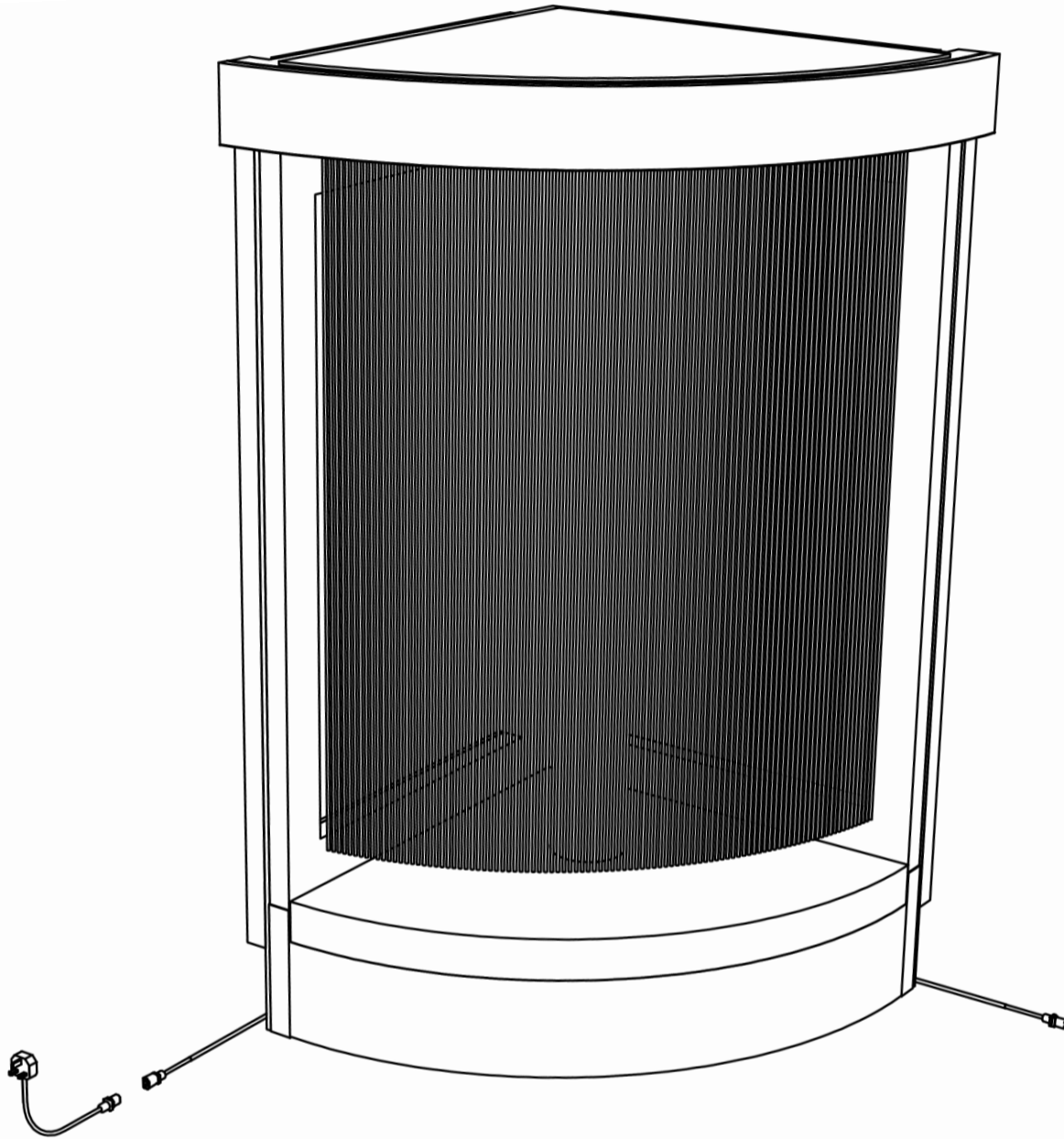


# Custom Corner Bubble Tube Area

## SC7259



## User Manual

82722  
September 2022



## Contents

Warnings	3
Description	3
Includes	3-4
Installation	5-13
Connecting the Power	13
Cleaning and Maintenance	14
Guarantee	15
Technical	16
Contact us	16



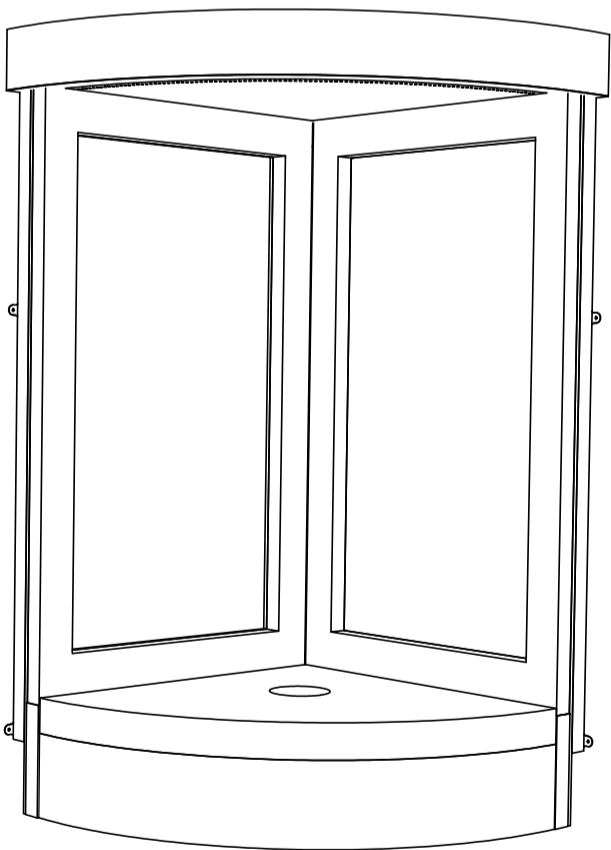
# Warnings

- \* All our equipment is designed for users with special needs. We suggest supervision at all times when using this equipment.
- \* For indoor use only. The panel uses a mains power supply. Do not use any other power cord than the one supplied.
- \* The platform is designed to support no more than 275 lbs. It is designed for one person at a time.
- \* Do Not use free standing. The panel should be installed securely to the wall.
- \* Never use abrasive cleaning pads to clean this item.

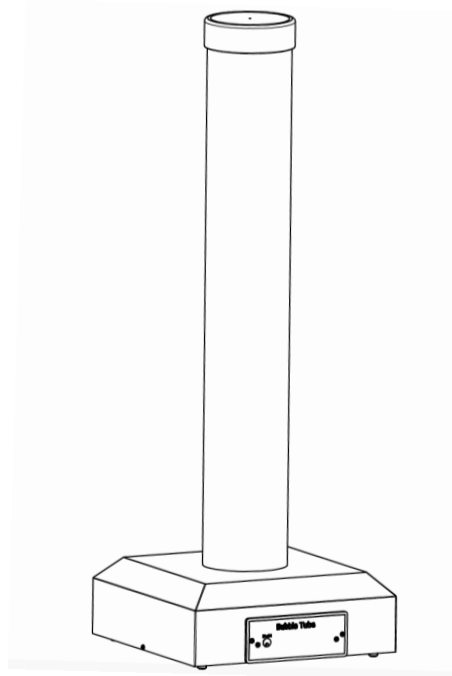
## Description

No sensory room? Transform a corner of your school or clinic into a relaxing and interactive sensory space. Spending a few minutes in the Custom Corner Bubble Tube Area can help kids chill out and reset their mood. It's filled with sensory room equipment like a color column and sensory lighting. Step through the curtain of glowing LED fiber optic lights into the semi-enclosed structure with mirrored sides and ceiling. Sit on the soft, cushioned platform and use the kid-friendly wireless remote to change the colors and effects of the Waterless LED Color Column. Shatterproof mirrors create an optical illusion, enhancing the visual effects of the changing lights. Helps enhance relaxation, encourage visual tracking and improve visual development.

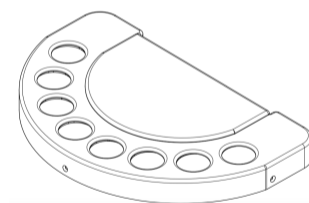
## Includes



Custom Corner Bubble Tube Area



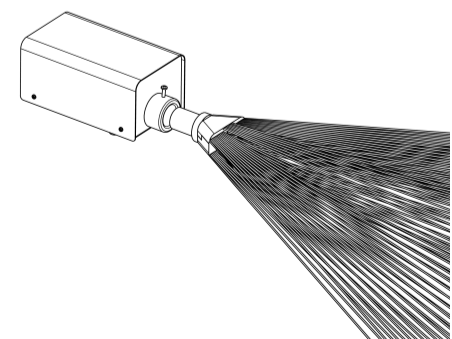
Waterless Color Column



8 Way Wireless Rechargeable Remote



2 x power adapters for column and remote

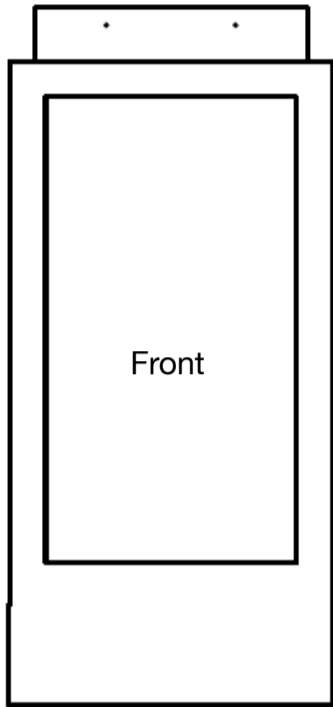


Fibre Optic Strands  
Come pre-installed in the top

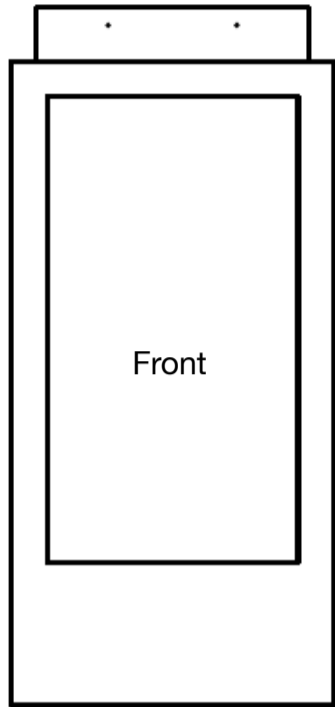
*Carefully check you have all the parts listed. Inform us immediately if anything is missing.*

# Pieces and Hardware

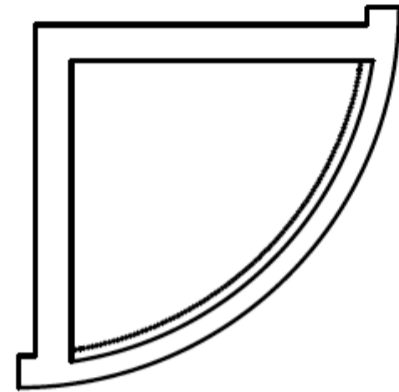
1 x LH Wall panel  
Part Number 1



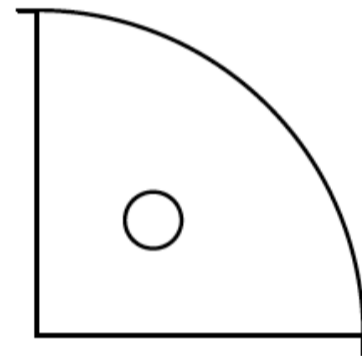
1 x RH Wall panel  
Part Number 2



1 x Top  
Part Number 3



1 x Platform



*Panels are Identified viewing from front edge*



Power Cord

12 x 6 mm Screws



12 x 6 mm Washers



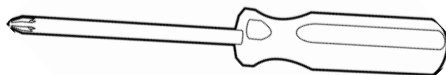
*Note: 8 x 6 mm screws and washers are required for this installation. Twelve are provided.*

*Carefully check you have all the parts listed. Inform us immediately if anything is missing.*

## Additional Tools (not included)

You will need the following tools to complete the installation:

Phillips Head Screwdriver



Drill



# Installation

The sensory equipment connects to a power supply. All the connecting cables are pre-installed in the top section and the platform. Connect the power cord to the equipment and install all the cables before the corner is pushed into the final corner position and attached to the wall.

## Corner Placement

**DO NOT use as standalone equipment.** Select the corner where the equipment will be positioned and complete the installation in this area. This equipment will not fit through doors and it is extremely heavy once it has been assembled.

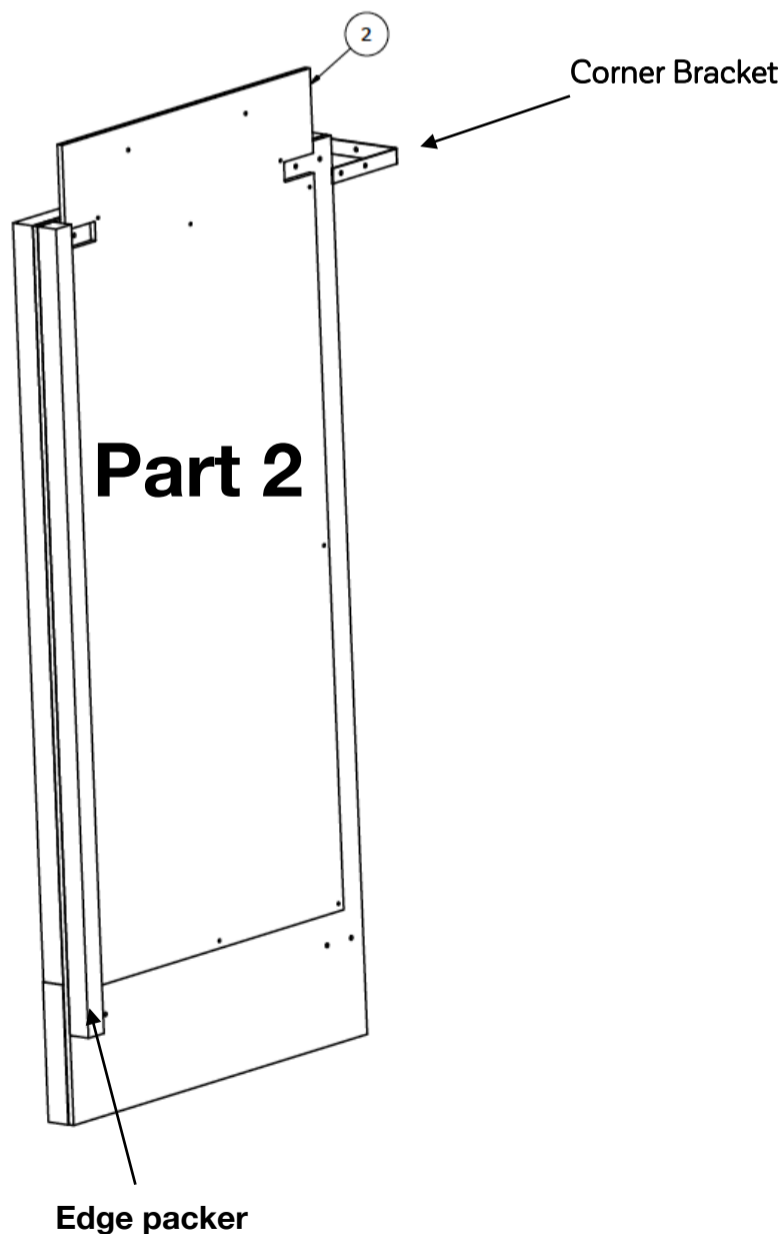


**We recommend two people to lift the panel onto the wall panel. Do not remove the protective mirror film until the very end of the installation process.**

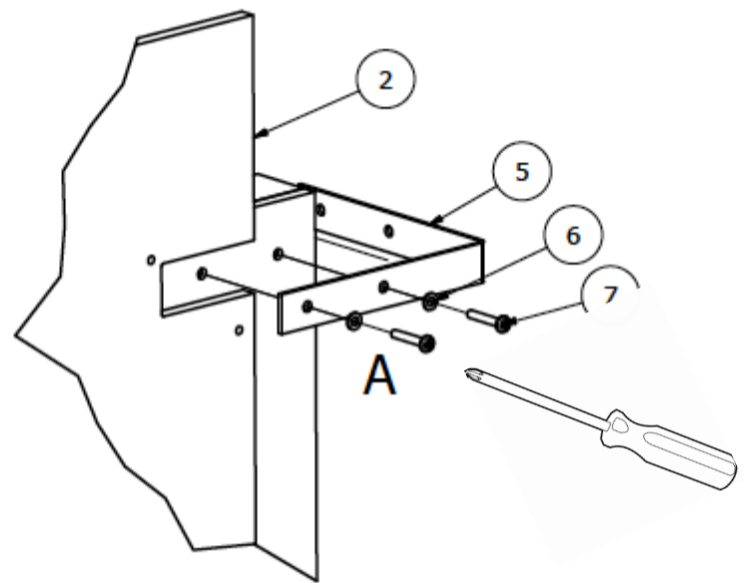
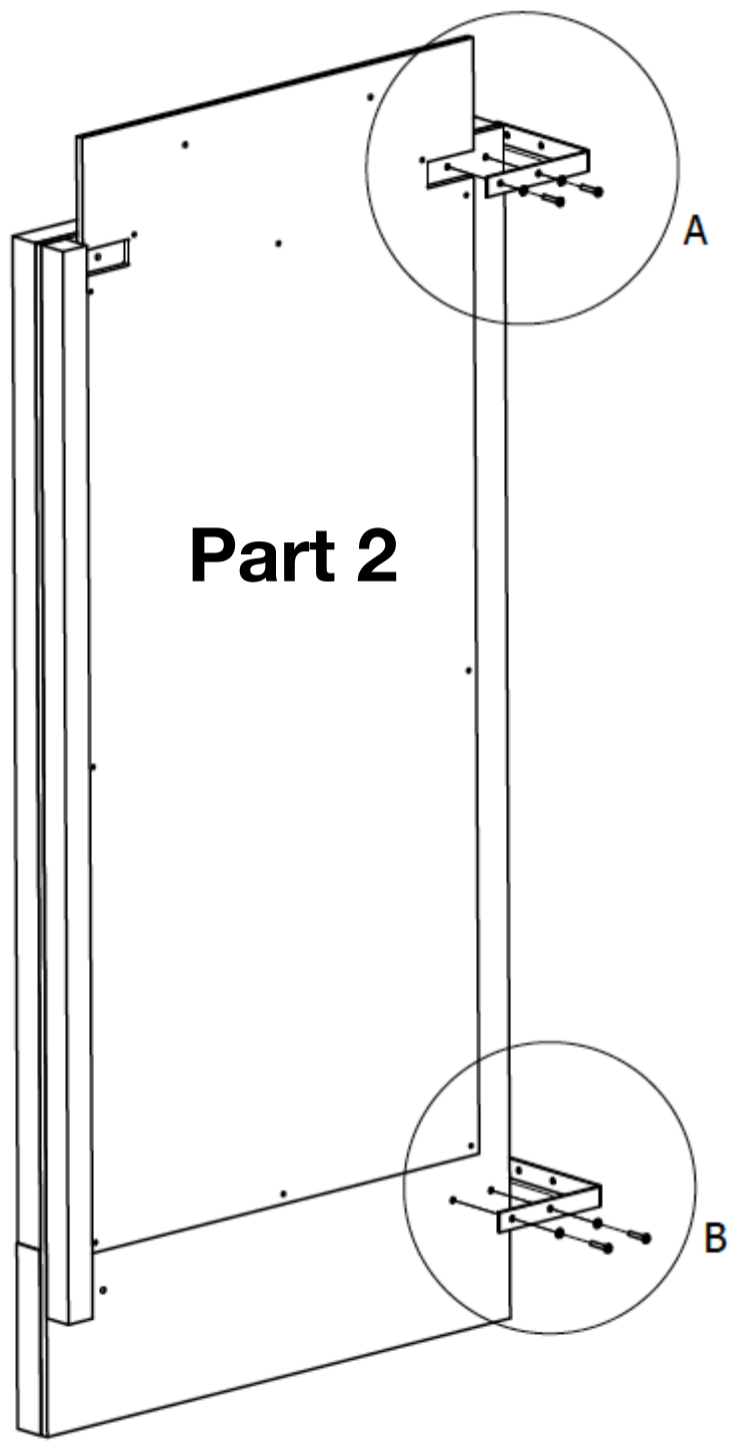
- Step 1**
- Take the RH Wall Panel (Part 2) and stand on its end with edge packer on the left side while looking at the back.
  - Attach 1 x Corner Bracket.

**Note:** The corner bracket may be already installed depending on the model.

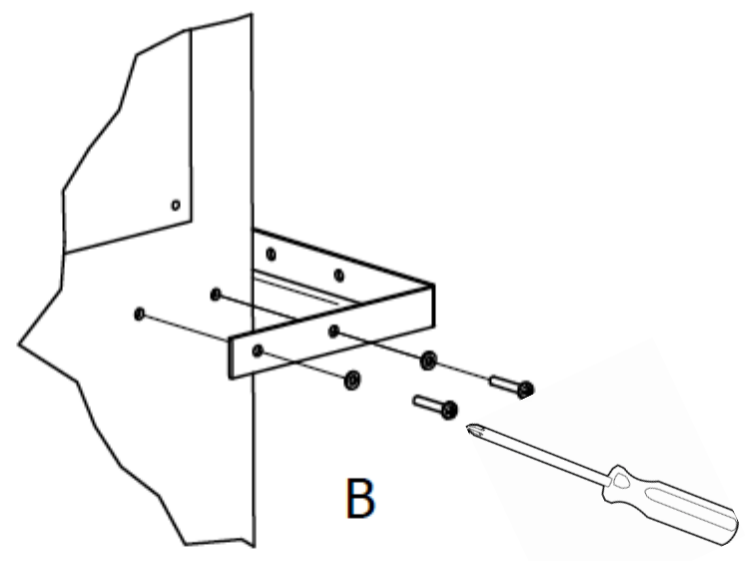
RH Wall Panel



**Step 2** • Screw 2 x corner brackets to the top (A) and bottom (B) of the panel using 4 x 6mm washers and 4 x 6 mm screws. Some models will already have these brackets fitted to them.

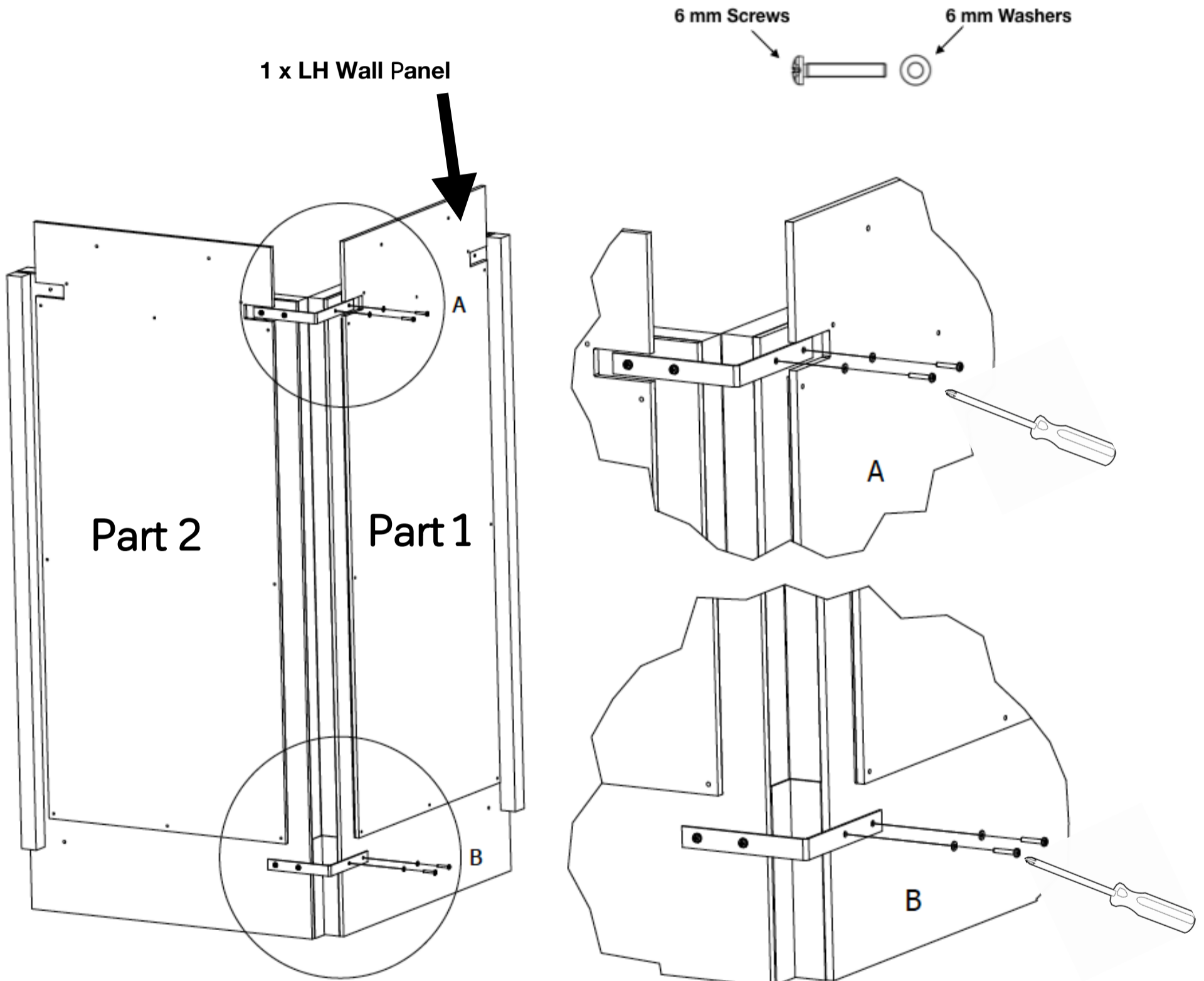


PARTS LIST	
ITEM	PART NUMBER
2	82722 Right Mirror Assembly
5	Corner Brackets
6	6 MM Washer
7	M6 x 35 mm - Screw

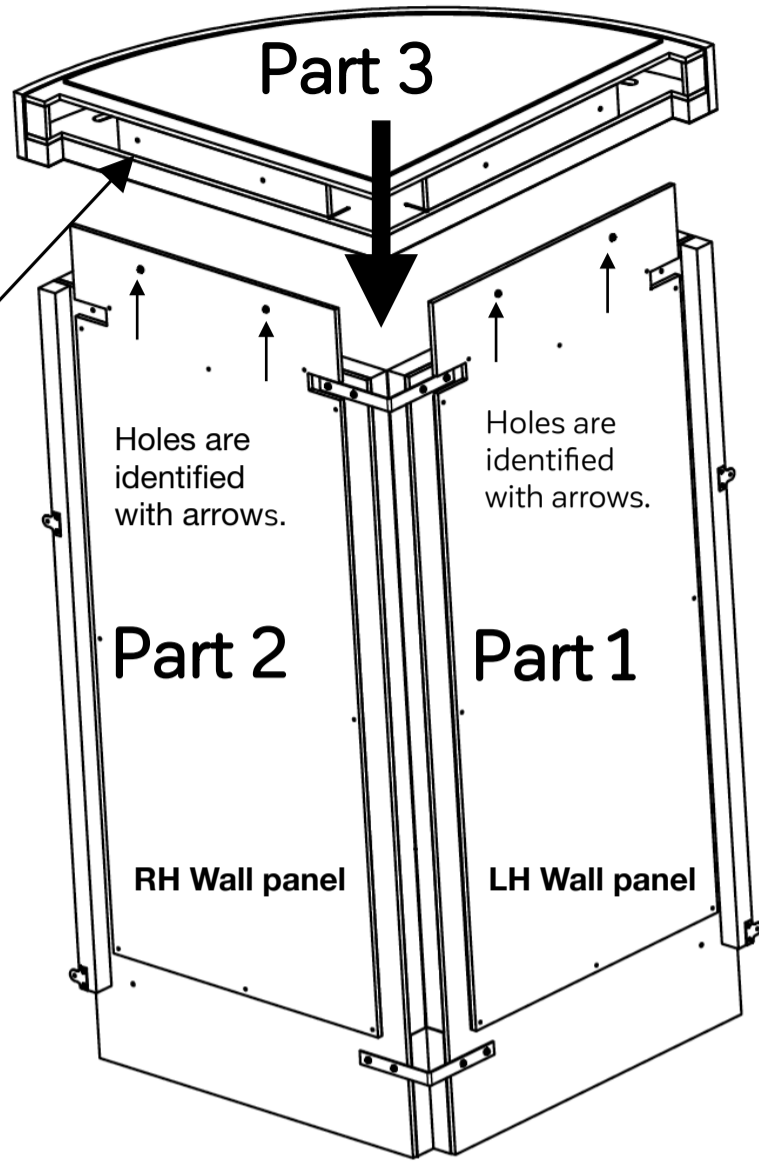


- Step 3**
- Take the LH Wall Panel (Part 1) and stand on its end with edge packer on the right side while looking at the back.
  - Attach 1 x corner bracket and use 2 x 6mm washers and 2 x 6mm screws.

The bracket has a black mark to let you know which holes in the bracket to use.



**Step 4** Place Top (Part 3) and align holes. Screw 4 x 6mm washers and 4 x 6mm screws into holes identified with arrows.



Holes on top

Holes are identified with arrows.

Holes are identified with arrows.

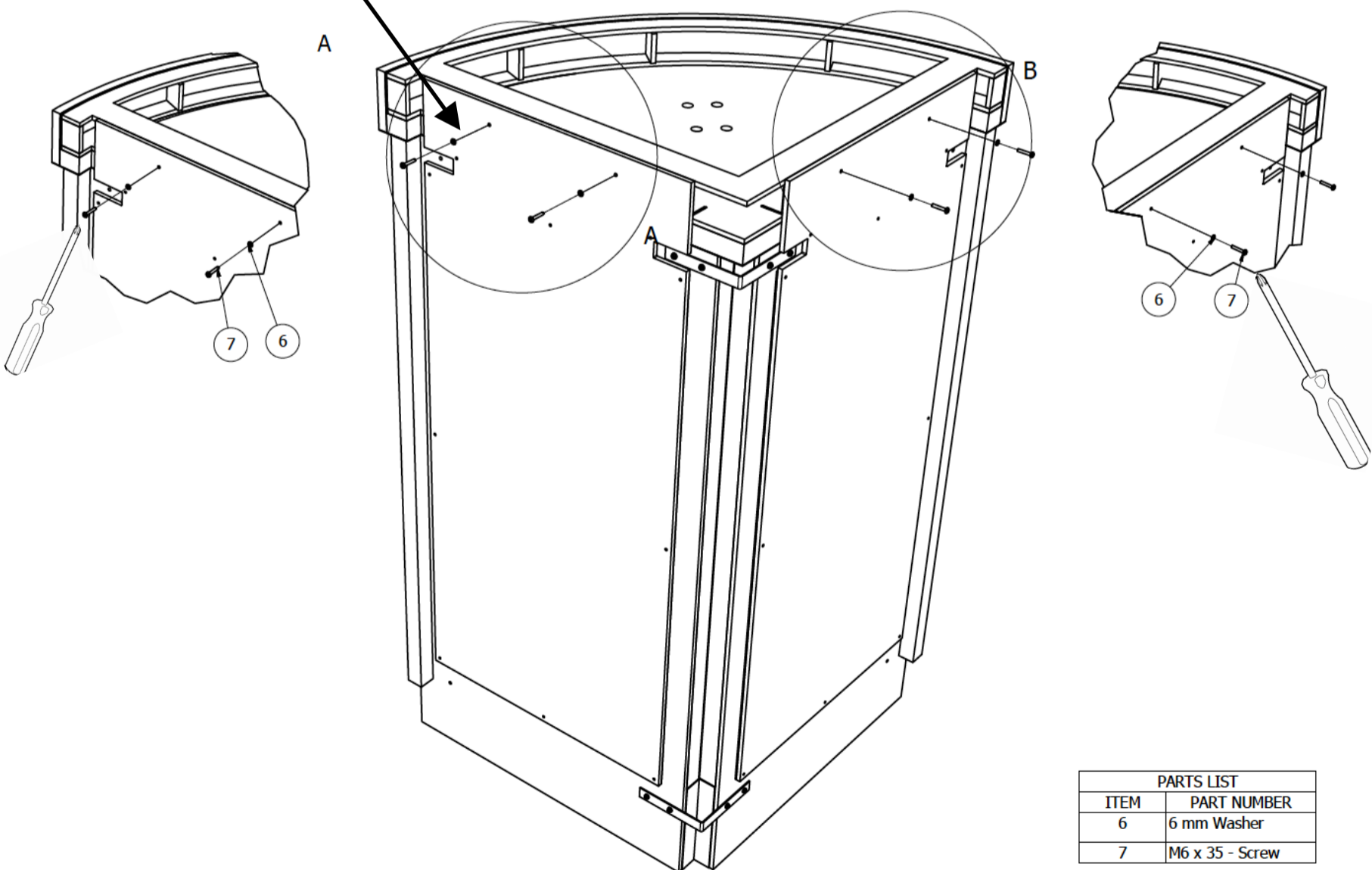
Part 2

Part 1

RH Wall panel

LH Wall panel

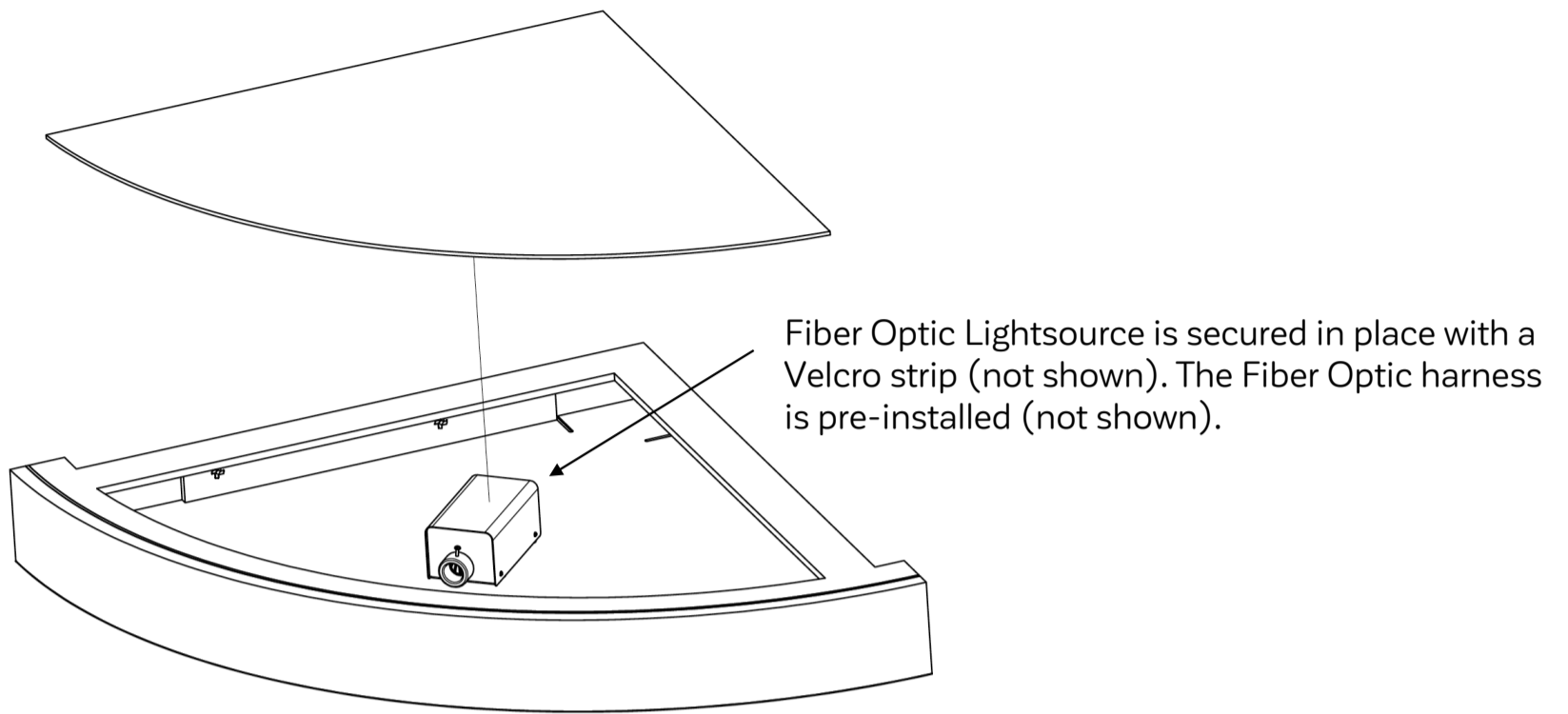
Holes on top



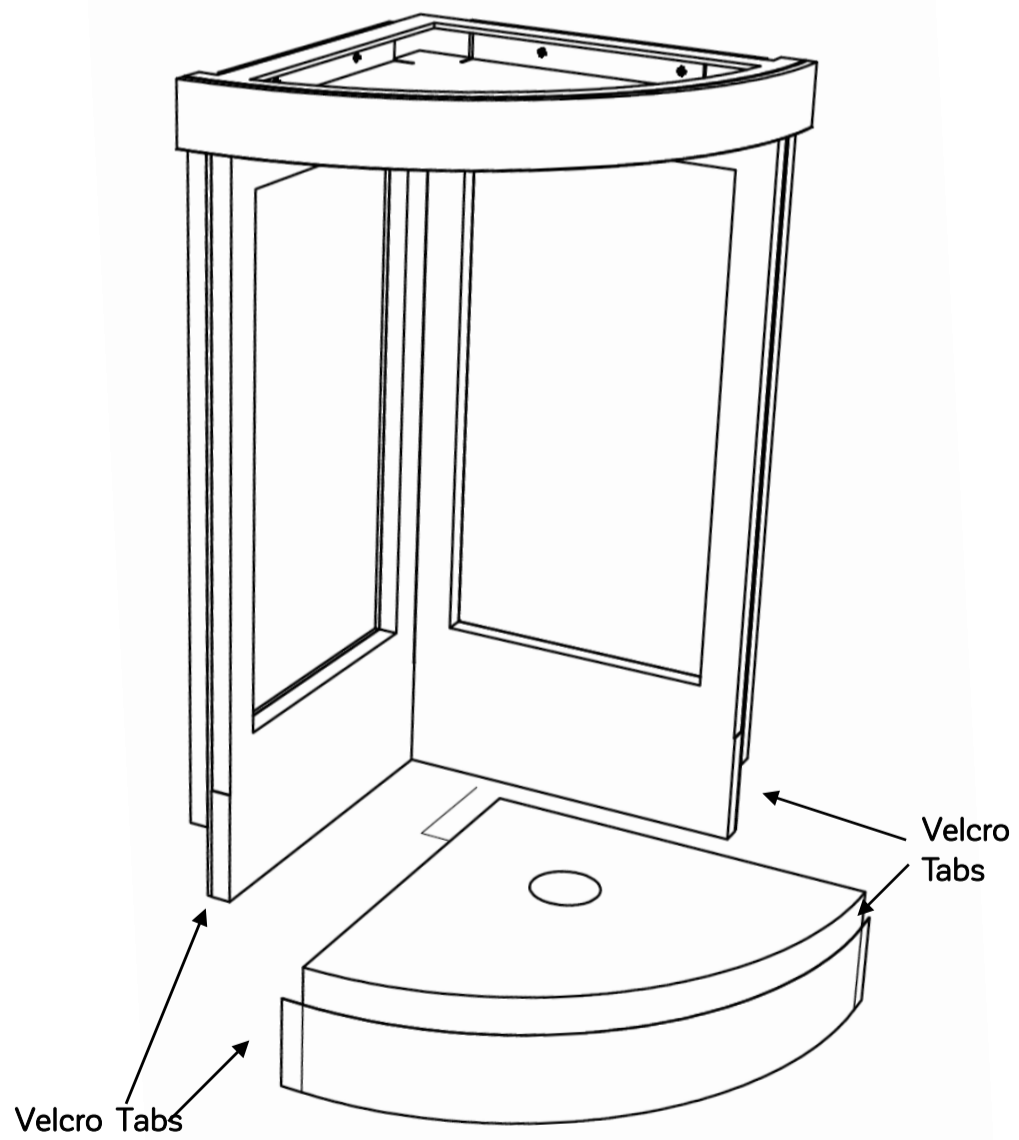
PARTS LIST	
ITEM	PART NUMBER
6	6 mm Washer
7	M6 x 35 - Screw



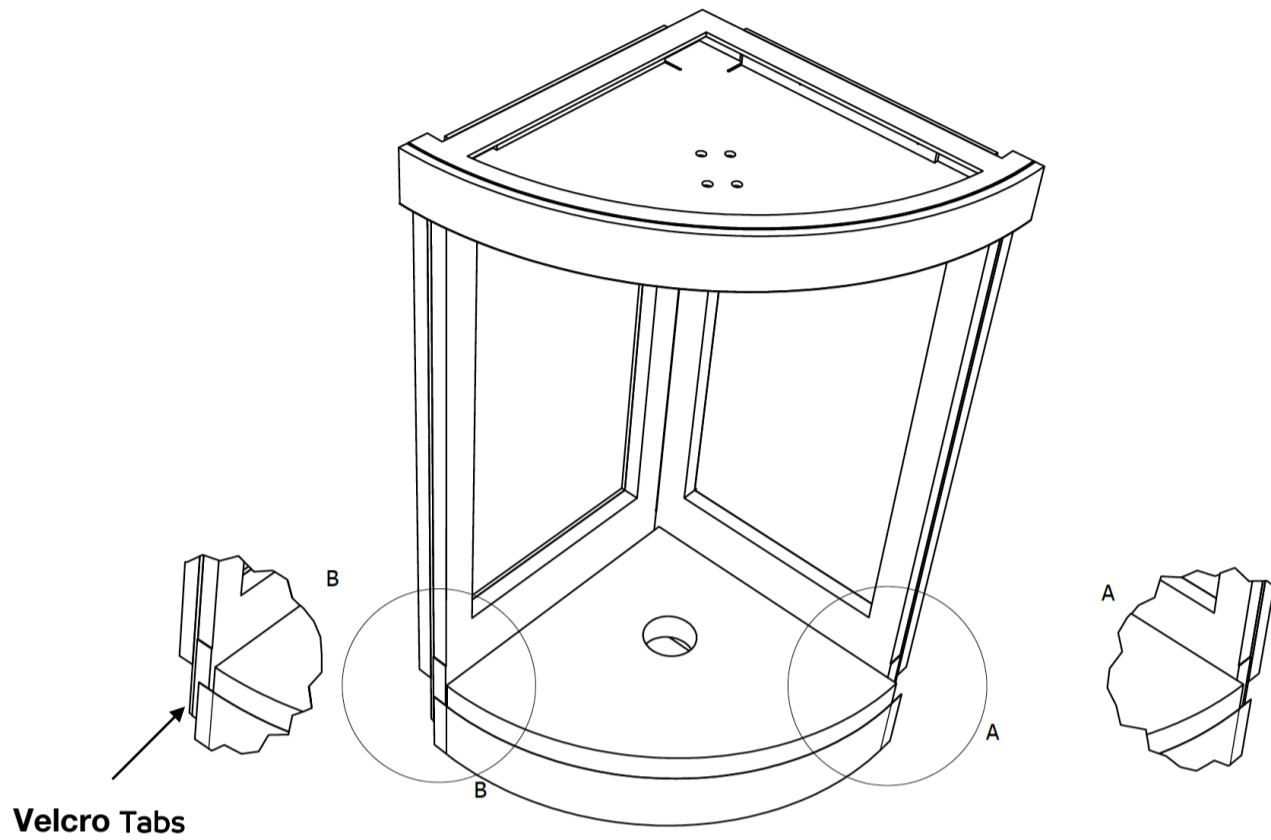
**Step 5** Remove cover from top by detaching the Velcro closures .



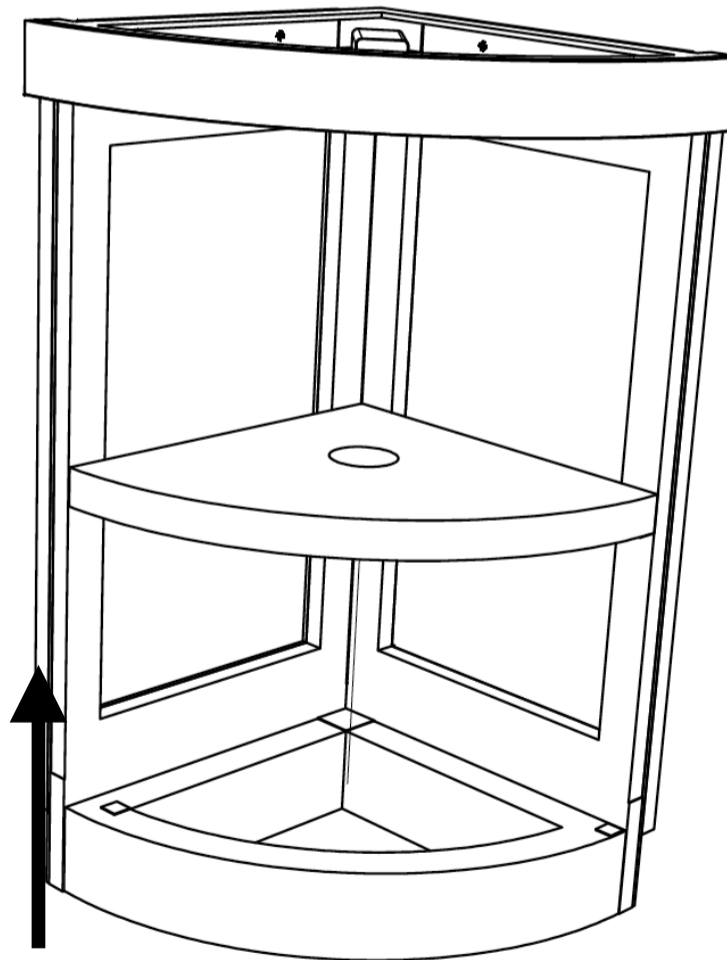
**Step 6** Move the entire corner piece near the final location and rotate so the plinth can be installed.



- Step 7**
- Push the Platform into the corner created by part 1 and part 2 wall panels.
  - Attach the velcro tabs to the wall panels

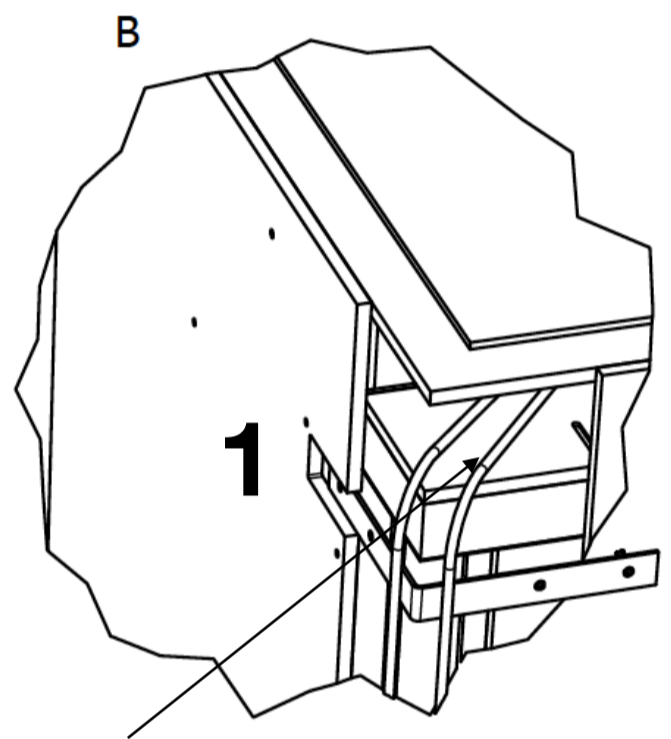
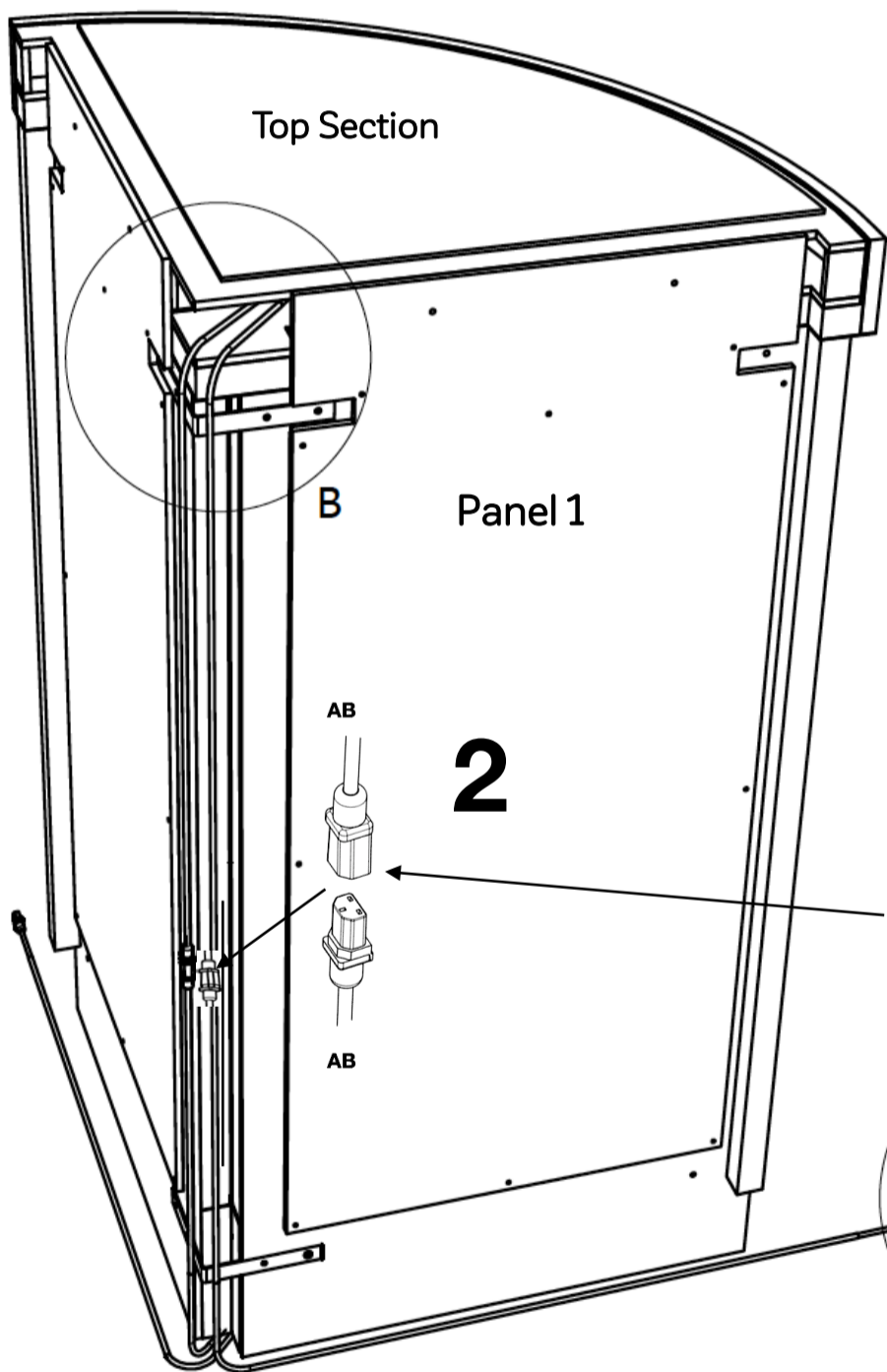
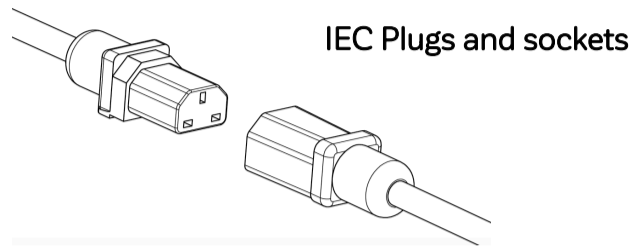


- Step 8** Remove seating area of the platform by lifting up on it. The Velcro closures will need to be gently but firmly pulled apart.

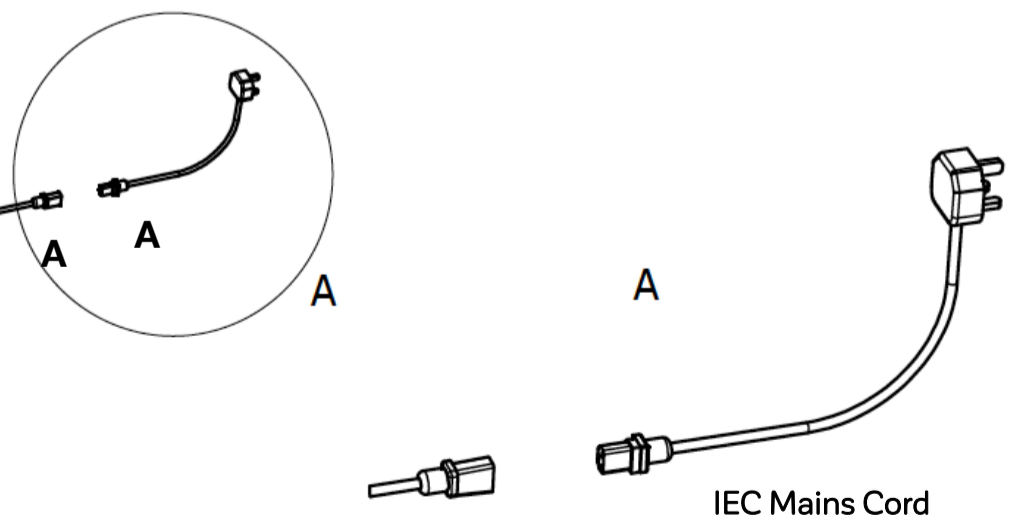


# Installing the Power Cables

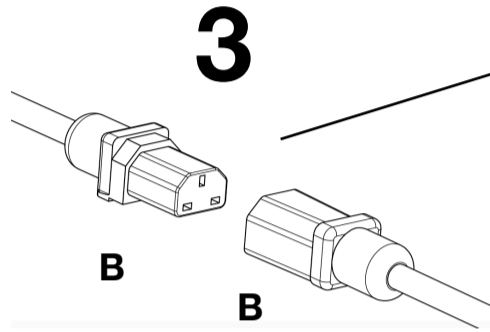
The power cables are all flexible cables fitted with IEC plugs and sockets. They are fed from the top section behind the wall panels and into the platform and to the power cord.



- 1) Carefully draw the two IEC cables out of the top section B . One of the two is labeled AB .
- 2) Connect this to the cable to the one on the back of LH Wall Panel, the cable is also labeled AB. Then connect the supplied IEC mains cord. The cable is labeled A - Place label A to A



3 ) Plug the other lead from the top section labeled "B" and connect to the cable fastened to RH wall panel 2.

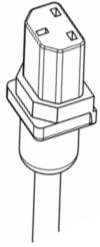
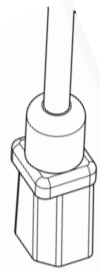


**3**

**B**

**B**

**AB**



**AB**

**B**

**B**

**AB**

**AB**

**4**

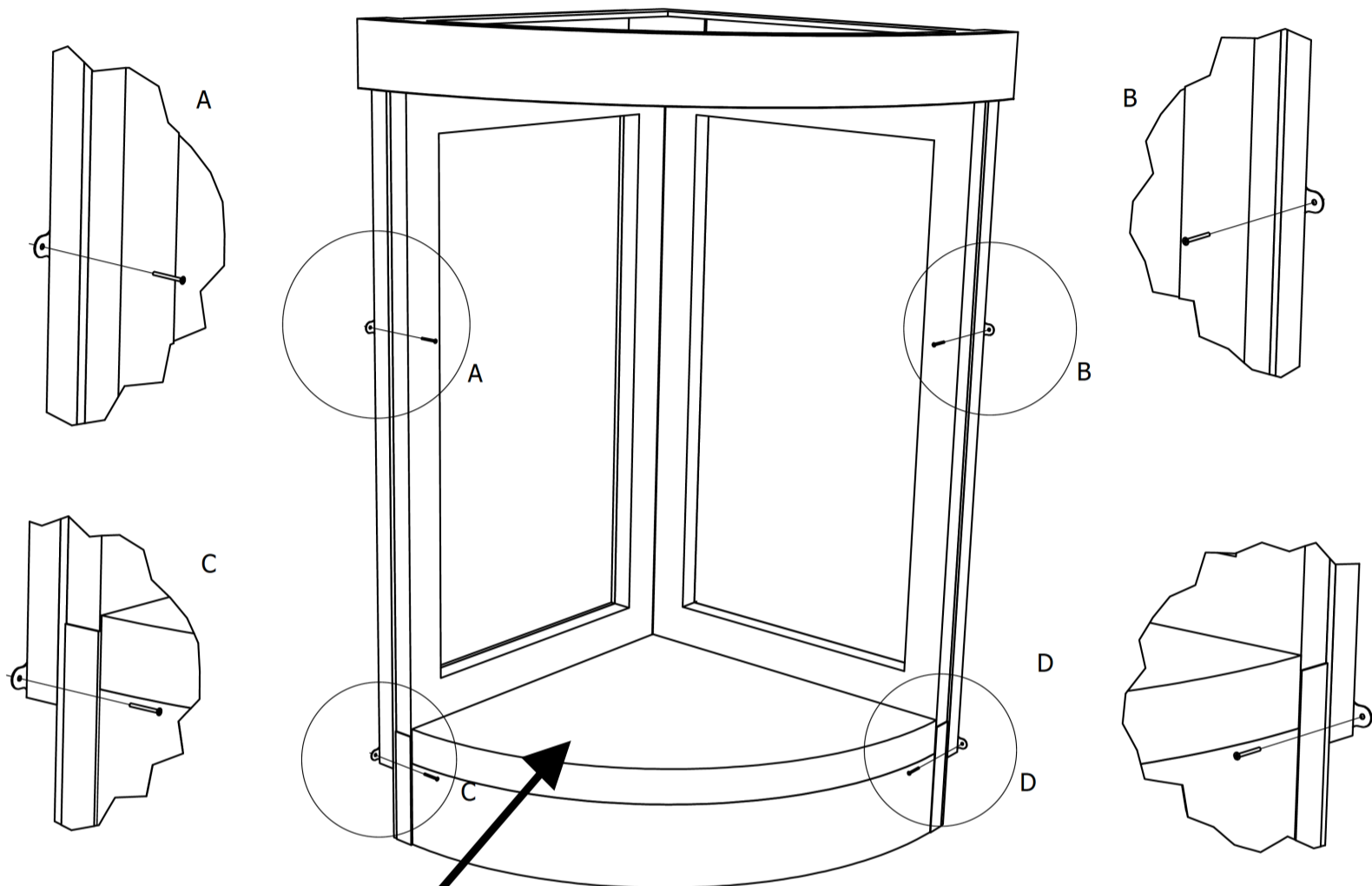
**C** Cable C is used to supply power to other pieces of equipment you may buy in the future. It should be tucked out of the way if not in use.

4) Feed Cables labeled "Platform" between the wall pads gap and feed under into the platform

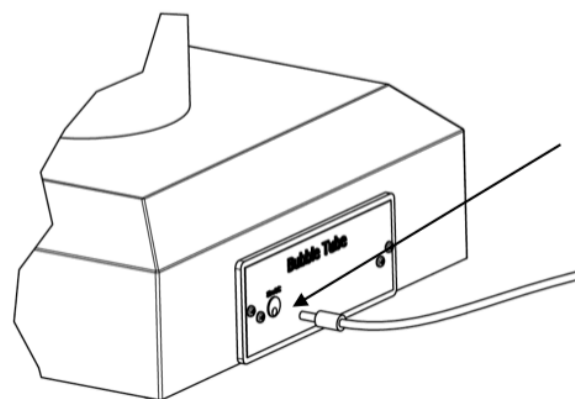
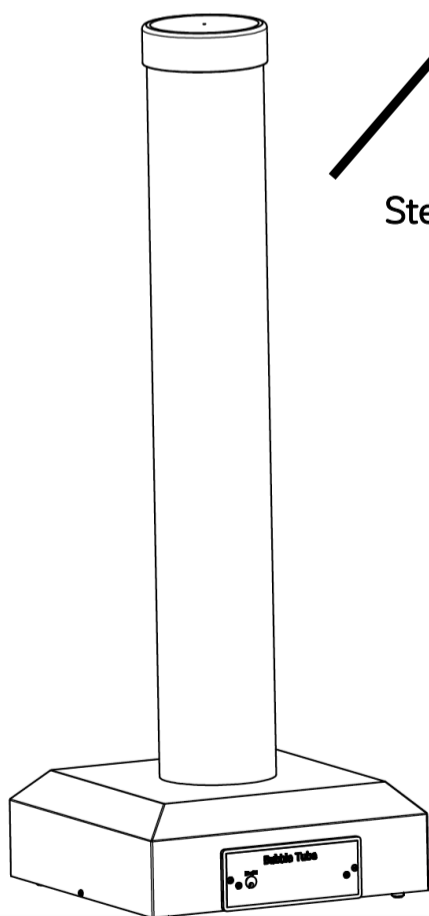
## Attaching to the Wall

The panels must be installed to a permanent wall of solid construction. The panels have wall brackets, but screws or wall anchors are not provided. Your professional installer will need to use the appropriate screws and anchors for your type of wall to be attached to. **Professional installation is highly recommended.**

**Step 1** Attach panels to the wall using the four brackets. Use screws and anchors appropriate for the type of wall construction where the equipment will be positioned.



**Step 2** Place Waterless LED Color Column into the platform and plug in the power supply to the Column and replace the platform lid.



Insert power supply into base - 5v DC socket

**Step 3** Mirrors are covered in a protective film. Carefully, peel the film away and dispose of it.

**Step 4** Connect the electrical supply to the mains power cord. Please refer to the Waterless LED Color Column and the Fiber Optic Strands with Lightsource instructions for further information.

*Depending which model you have , the pack will include the relevant instructions for the equipment.*

## Cleaning

We suggest a quick wipe every day after use . A more rigorous cleaning can be completed once a week.

Before you start to clean unplug the equipment from the electrical outlet.

To clean your Custom Corner Bubble Tube Area, use a soft, lint free white cloth and mild detergent such as dish washing liquid.

Never use an abrasive cloth or any solvent liquid such as mineral spirits or bleach. The mirrors and the column can become damaged if appropriate cleaners or cloths are not used.

If the material is ripped, stop using immediately.

# Guarantee

## CONDITIONS OF GUARANTEE

This guarantee is in addition to and does not in any way affect any statutory or other rights of consumer purchasers. If within the applicable guarantee period (as shown in 8 below) the appliance proves to be defective by reason of faulty design, workmanship or materials, we undertake subject to the following conditions to have the defective appliance (or any part or parts thereof) repaired or at our discretion replaced free of charge.

1. The appliance shall have been purchased and used solely in accordance with Standard operating instructions and the technical and/or Safety Standards required in the country where this appliance is to be used
2. All enquiries must be through such dealers. For appliances used in the UK., U.S.A., Channel Islands, Isle of Man, and Republic of Ireland the appliance should be returned together with this guarantee and proof of purchase promptly on being found defective, at the purchasers risk and expense, to the authorised dealer from whom the appliance was purchased.
3. This guarantee shall not apply to damage caused through fire, accident, misuse, wear and tear, neglect, incorrect adjustment or repair, to damage caused through where this appliance is used, or to damage occurring during Installation, adaptation, modifications, or use in an improper manner or inconsistent with the technical and/or safety standards required in the country transit to or from the purchaser.
4. If at any time during the guarantee period any part or parts of the appliance are replaced with a part or parts not supplied or approved by us or of an objective quality safe and suitable for the appliance, or the appliance has been dismantled or repaired by a person not authorised by us, the purchaser shall not be entitled to any rights and/or remedies under this guarantee.
5. The purchasers sole and exclusive remedy under this guarantee against us is for the repair (or at our discretion the replacement) of the appliance or any part or parts and no other remedy, including, but not limited to, incidental or consequential damage or loss of whatsoever nature shall be available to the purchaser.
6. This guarantee shall not apply to lamps, batteries, color filters, cabinet parts or any other parts of a limited natural life.
7. Our decision on all matters relating to complaints shall be final. Any appliance or defective part which has been replaced shall become our property until paid for in full.
8. The guarantee period applicable to all new appliances shall be 12 months.

## Electrical information

The Custom Corner Bubble Tube Area uses no electrical power , it is a piece of furniture. When the sensory equipment is installed it uses an IEC mains lead to supply power to the equipment.

Sensasoft LH Wall Panel - Weight 33 lbs. (15 KG)  
Sensasoft RH Wall Panel - Weight 33 lbs. (15 KG)  
Sensasoft Top - Weight 44 lbs. (20 KG)  
Sensasoft Platform - Weight 33 lbs. (15 KG)  
Overall Size - 76.8"H x 41.3H  
(1050mm Wide x 1950mm High)

### Disclaimer

No part of this manual may be reproduced in any form or by any means (graphic, electronic or mechanical, including recording, taping, photography or information retrieval system) without express written permission of the publisher of this material.  
All information is correct at date of publication.



QUESTIONS? call us at 800-231-6329 or email us at [customer@funandfunction.com](mailto:customer@funandfunction.com).  
We are committed to going above and beyond to address your questions, ideas and feedback.

